

We are IntechOpen, the world's leading publisher of Open Access books Built by scientists, for scientists

4,400

Open access books available

118,000

International authors and editors

130M

Downloads

Our authors are among the

154

Countries delivered to

TOP 1%

most cited scientists

12.2%

Contributors from top 500 universities



WEB OF SCIENCE™

Selection of our books indexed in the Book Citation Index
in Web of Science™ Core Collection (BKCI)

Interested in publishing with us?
Contact book.department@intechopen.com

Numbers displayed above are based on latest data collected.
For more information visit www.intechopen.com



Multi-User Multimedia Transmission over Cognitive Radio Networks Using Priority Queuing

Hsien-Po Shiang and Mihaela van der Schaar
University of California Los Angeles
USA

1. Introduction

The emergence of cognitive radio networks have spurred both innovative research and ongoing standards (Mitola et al., 1999; Haykin, 2005; Cordeiro et al., 2006). Cognitive radio networks have the capability of achieving large spectrum efficiencies by enabling *interactive* wireless users to *sense* and *learn* the surrounding environment and correspondingly *adapt* their transmission strategies. In this context, there exist three main challenges for multimedia users to efficiently transmit their delay-sensitive traffic over the cognitive radio networks. The first problem is how these multimedia users should sense the spectrum and timely model the behavior of the primary licensees. The second problem is how these users should manage the available spectrum resources and share the resource to the license-exempt users to satisfy their multimedia traffic requirements while not interfering with the primary licensees. The third problem is how to maintain seamless communication during the transition (hand-off) of selected frequency channels. In this chapter, we focus on the second challenge regarding the resource management problem. For the remaining two challenges, one can find relevant discussions in other existing literatures as in Akyildiz et al., 2006 and Brown, 2005, etc.

Due to the informationally-decentralized nature of cognitive radio networks (Shiang & van der Schaar, 2007b), the complexity of the optimal centralized solutions (Zekavat & Li, 2006; Fu & van der Schaar, 2007; van der Schaar & Fu, 2009) for spectrum allocation is prohibitive for large systems. In addition, the centralized solution might require a large amount of time to process and to collect the required information, which induces delay that can be unacceptable for the delay-sensitive applications, e.g. multimedia streaming. Hence, it is important to implement distributed solutions as in (Shiang & van der Schaar, 2009) for dynamic resource management by relying on the wireless users' capabilities to sense, adapt, and coordinate themselves. Importantly, for the distributed solutions, the coordinated interactions (information exchanges) across the autonomous wireless users are essential, since the decisions of an autonomous wireless user will impact and be impacted by the other users. Without explicit coordinated interactions, the heterogeneous users will consume additional resources and respond slower to the time-varying environment. Such information

exchange can rely on a dedicated control channel for all users (Brik et al., 2005), or using a group-based coordination scheme without a common control channel (Zhao et al., 2005).

In recent years, the research focus regarding multimedia transmission in wireless networks has been to adapt existing multimedia compression (Stockhammer et al., 2003), error protection algorithms (Mohr et al., 2000), and rate-distortion optimized transmission (Chou & Miao 2006) to the rapidly varying resources of wireless networks (see van der Schaar & Chou, 2007 for more references). Significant contributions have been made to enhance the separate performance of the various OSI layers, or jointly for the MAC, PHY, and application layers (van der Schaar et al., 2003; Setton et al. 2005). However, these solutions cannot provide an integrated and realistic cross-layer optimization framework in the cognitive radio networks to support delay-sensitive multimedia streaming applications. Importantly, the cross-layer optimization has been performed in an autonomous, selfish and isolated manner, at each multimedia source/user, and does not consider its impact on the overall wireless infrastructure and the interactions with other information streams. As such, existing solutions do not provide adequate support for multi-user multimedia streaming over spectrum agile network.

In this chapter, we introduce an integrated cross-layer optimization framework for multi-user multimedia transmission over cognitive radio networks. The traffic of the users (including the licensed users and the license-exempt users) and the channel conditions (e.g. Signal-to-Noise Ratio, Bit-Error-Rate) are modeled using stationary stochastic models (Shanker et al., 2005). Based on these models, a novel *priority virtual queue analysis* (Shiang & van der Schaar, 2008) for cognitive radio networks is introduced. This analysis enables a coordination interface to the license-exempt wireless users without requiring to change existing communication protocols, e.g. IEEE 802.22 (Cordeiro et al., 2006). The virtual queues are priority queues for each of the frequency channels. They are emulated in a distributed manner by each autonomous wireless user in order to estimate the delay of selecting a specific frequency channel for transmission. Unlike the majority of prior works assuming the available frequency channels as *spectrum holes* (Haykin, 2005; Akyildiz et al., 2006) that can be accessed using a 2-state on-off channel model (Shanker et al., 2005), we adopt priority queuing to model the users' interactions by assigning the highest priority to the licensed users and adapt the channel access of the license-exempt users (with lower priorities). Importantly, instead of making the primary licensees passively exclude the license-exempt users from using the occupied frequency channels, the introduced approach allows the primary licensees to share the frequency channels and also endows these primary licensees with the preemptive priority to delay the transmissions of the license-exempt users in the same frequency channel. Hence, the introduced approach can further improve the spectrum utilization and reduce the impact of the license-exempt users. The proposed concept can also be applied to the *leased network* as in Akyildiz et al., 2006 and Stine, 2005.

Based on the priority queuing analysis, each wireless user builds an abstraction of the dynamic wireless environment (e.g. wireless condition) and the competing users' behaviors using the same frequency channel (including the primary licensees, to which the highest priority is assigned). Note that the abstraction is important in order to enable intelligent wireless users to learn and adapt their cross-layer transmission strategies (Haykin, 2005; Mitola et al., 1999). Additionally, the necessary multi-agent interactions (information exchanges) are also determined for the priority queuing analysis. This chapter focuses on the delay-sensitive applications such as surveillance, multimedia conferencing, and media

streaming etc., since these applications are most impacted by inefficient spectrum usage. Moreover, this chapter only focuses on the multimedia transmission over a single-hop network infrastructure. Discussion regarding to multimedia transmission over a multi-hop cognitive radio network can be found in Shiang & van der Schaar, 2009.

The organization of the chapter is as follows. In Section 2, we provide the network settings of the cognitive radio network. Section 3 presents the cross-layer problem formulation for multi-user multimedia streaming over such network through a multi-agent interaction. In Section 4, we show that the multi-user multimedia streaming problem over such network can be analyzed using priority queue modeling and hence, facilitate the optimal cross-layer transmission strategies of the multimedia streaming problem through appropriate information exchange. Finally, Section 5 concludes the chapter.

2. Network Settings for Multi-User Multimedia Transmission over Cognitive Radio Networks

2.1 Multimedia traffic characteristics

Assume that there are N multimedia applications V_1, \dots, V_N with distinct sources destinations. In this chapter, we define the users as the transmission pairs between predetermined source wireless stations and destination wireless stations. Each encoded multimedia stream is separated into a certain number of classes (quality layers) as in van der Schaar et al., 2006. Assume that the packets within each multimedia class have the same delay deadline. The number of priority classes for a multimedia sequence V_i equals K_i . Assume that the total number of priority classes across all users in the network is K . The priority classes in the network are denoted as C_1, \dots, C_K . For the purpose of analysis, we reserve the highest priority class C_1 for the primary users in each frequency channel, i.e. $\lambda_1 \gg \lambda_k, 2 \leq k \leq K$. The secondary users can be categorized into the rest of $K - 1$ priority classes (C_2, \dots, C_K) to access the frequency channels¹. Hence, the total number of classes across all users in the network equals $K = \sum_{i=1}^N K_i + 1$. The users in higher priority classes can preempt the transmission of the lower priority classes to ensure an interference-free environment for the primary users (Kleinrock, 1975). The priority of a user affects its ability of accessing the channel. Each multimedia class C_k is characterized by:

- λ_k , the expected quality impact of receiving the packets in the class C_k . We prioritize the multimedia classes based on this parameter. In the subsequent part of the chapter, we label the K classes (across all users) in descending order of their priorities, i.e. $\lambda_1 \geq \lambda_2 \geq \dots \geq \lambda_K$.
- L_k , the average packet lengths of the class C_k . The expected quality improvement for receiving a multimedia packet in the class C_k is defined as $\lambda_k \cdot L_k$ (see e.g. Wang & van der Schaar, 2006 for more details).
- N_k , the number of packets in the class C_k in one GOP duration of the corresponding

¹ The prioritization of the secondary users can be determined based on their applications, prices paid for spectrum access, or other mechanism design based rules. In this chapter, we will assume that the prioritization was already performed.

multimedia sequence.

- P_k^{succ} , the probabilities of successfully receiving the packets in the class C_k at the destination. Thus, the expected number of the successfully received packets of the class C_k is $N_k \cdot P_k^{succ}$.
- d_k , the delay deadlines of the packets in the class C_k . Due to the hierarchical temporal structure deployed in 3D wavelet multimedia coders (see Wang & van der Schaar, 2006; van der Schaar & Turaga, 2007), for a multimedia sequence, the lower priority packets also have a less stringent delay requirement. This is the reason why we prioritize the multimedia bitstream in terms of the quality impact. However, if the used multimedia coder did not exhibit this property, we need to deploy alternative prioritization techniques $\lambda_k^{video}(\lambda_k, d_k)$ that jointly consider the quality impact and delay constraints (see more sophisticated methods in e.g. Jurca & Frossard, 2007; Chou & Miao, 2006).

At the client side, the expected quality improvement for multimedia V_i in one GOP can be expressed as:

$$u_i = \sum_{C_k \in V_i} \lambda_k L_k N_k P_k^{succ}. \quad (1)$$

Here, we assume that the client implements a simple error concealment scheme, where the lower priority packets are discarded whenever the higher priority packets are lost (van der Schaar & Turaga, 2007). This is because the quality improvement (gain) obtained from decoding the lower priority packets is very limited (in such embedded scalable multimedia coders) whenever the higher priority packets are not received. For example, drift errors can be observed when decoding the lower priority packets without the higher priority packets (Wang & van der Schaar, 2006). Hence, we can write:

$$P_k^{succ} = \begin{cases} 0 & , \text{ if } P_{k'}^{succ} \neq 1 \text{ and } C_{k'} \prec C_k \\ (1 - P_k) = E[I(D_k \leq d_k)] & , \text{ otherwise,} \end{cases} \quad (2)$$

where we use the notation in (Chou & Miao, 2006) - $C_{k'} \prec C_k$ to indicate that the class C_k depends on $C_{k'}$. Specifically, if C_k and $C_{k'}$ are classes of the same multimedia stream, $C_{k'} \prec C_k$ means $k' < k$ due to the descending priority ($\lambda_{k'} > \lambda_k$). P_k represents the end-to-end packet loss probability for the packets of class C_k . D_k represents the experienced end-to-end delay for the packets of class C_k . $I(\cdot)$ is an indicator function. Note that the end-to-end probability P_k^{succ} depends on the network resource, competing users' priorities as well as the deployed cross-layer transmission strategies. In addition, for the multimedia V_i , let us assume that the multimedia packets are scheduled in a specific order π_i according to the prioritization associated with the multimedia content characteristics.

2.3 Cognitive radio network settings

Assume that there are a total of M frequency channels $\mathbf{F} = \{F_1, \dots, F_M\}$ in the cognitive radio network and there are M primary users $\mathbf{PU} = \{PU_1, \dots, PU_M\}$, each in a separate frequency channel. These primary users can only occupy their assigned frequency channels. Since the primary users are licensed users, they are provided with an interference-free

environment (Haykin, 2005; Akyildiz et al., 2006). Assume that there are N secondary users $\mathbf{SU} = \{SU_1, \dots, SU_N\}$ in the system. These secondary users are able to operate their applications across various frequency channels for transmission. Hence, they need to time share the chosen frequency channel. Moreover, these secondary users are usually the license-exempt users, and hence, the resulting impact on the primary users must be eliminated.

Let us further assume that there is a Network Resource Manager (NRM) that coordinates multiple access control scheme for sharing the spectrum resource (by assigning transmission opportunities), while ensuring that the corresponding interference on the primary users is eliminated. The role of the NRM is similar to the coordinator in the current IEEE 802.11e Hybrid Coordination Function (HCF) solutions for multimedia applications (van der Schaar et al., 2006). Note that the NRM will not make decisions for the secondary users, but it will only manage the transmission opportunities of the frequency channels based on the priority classes to avoid interference. In this chapter, we investigate the dynamic resource management problem for the multimedia streaming of the secondary users that are associated with this specific NRM. Primary users in the highest priority class C_1 can always access their corresponding channels at any time. Secondary users, on the other hand, require transmission opportunities from the NRM for transmission based on their priorities.

Multiple users can time share the same frequency channel. Note that even if the same time sharing fractions are assigned to the users choosing the same frequency channel, the experienced channel conditions can be different for the users. A wireless user needs to stream its multimedia over an appropriate frequency channel to minimize the transmission delay D_k and thereby, increase the multimedia quality in equation (1). For a certain frequency channel F_j , the secondary users can experience various channel conditions for the same frequency channel. Besides, the frequency selections of the secondary users also mutually affect each other. Let us denote T_{ij} and p_{ij} as the resulting physical transmission rate and packet error rate for the secondary user SU_i transmitting through a certain frequency channel F_j . Let $R_{ij} = [T_{ij}, p_{ij}] \in \mathcal{R}$ be the channel conditions of the channel F_j for the secondary user SU_i and denote the channel condition matrix as $\mathbf{R} = [R_{ij}] \in \mathcal{R}^{M \times N}$.

The effective transmission rate $T_{ij}^e = T_{ij}(1 - p_{ij})$ depends on 1) the channel conditions, i.e. Signal-to-Noise-Ratio (SNR) x_{ij} , 2) the modulation and coding scheme θ that is adopted by the user, and 3) the multiple access scheme of sharing the channel. For simplicity, in this chapter, let us assume that the NRM adopts the simplest polling mechanism (Bertsekas & Gallager, 1987) similar to IEEE 802.11e that assigns transmission opportunity to the secondary users from the users in higher priority class to the lower priority class. The users in the same priority class will be polled in a round-robin fashion and have the same chance to transmit their packets. More sophisticated MAC protocols are proposed to deal with the spectrum heterogeneity (such as HD-MAC in Zhao et al., 2005). However, the contention-based MAC protocol are not preferable for delay-sensitive applications. Hence, a simple polling-based MAC similar to that used in IEEE 802.11e is considered in this chapter. The NRM only ensures the priority order among the users, but will not decide the secondary

users' actions. The expected physical transmission rate T_{ij}^e and packet error rate p_{ij} can be approximated as sigmoid functions of measured and the adopted modulation and coding scheme as in (Krishnaswamy, 2002):

$$p_{ij}(\theta_i, x_{ij}) = \frac{1}{1 + \exp(\zeta(\theta_i)(x_{ij} - \delta(\theta_i)))}, \quad (3)$$

$$T_{ij}^e(\theta_i, x_{ij}) = \frac{T_{ij}(\theta_i)}{1 + \exp(-\zeta(\theta_i)(x_{ij} - \delta(\theta_i)))}, \quad (4)$$

where $\zeta(\theta_i)$ and $\delta(\theta_i)$ are empirical constants for multimedia user V_i using frequency channel F_j corresponding to the modulation and coding schemes θ_i for a given packet length L_k of class C_k . Thus, even though coordinated by the same NRM, the expected T_{ij} and p_{ij} of the same frequency channel can be different for various secondary users.

3. Cross-Layer Transmission Problem Formulation for Multi-User Multimedia Transmission over Cognitive Radio Networks

3.1 Cross-layer transmission problem formulation

The considered actions of a secondary user V_i as the following cross-layer transmission strategies $\mathbf{a}_i = [\pi_i, \gamma_i, \alpha_i, \theta_i] \in \mathcal{A}_{ot} = \mathcal{A}_\pi \times \mathcal{A}_\gamma \times \mathcal{A}_\alpha \times \mathcal{A}_\theta$ including:

- The physical layer modulation and coding scheme $\theta_i \in \mathcal{A}_\theta$.
- The MAC layer retransmission limit $\gamma_i \in \mathcal{A}_\gamma$.
- The application layer multimedia packet scheduling $\pi_i \in \mathcal{A}_\pi$.
- The selection of the frequency channel for multimedia transmissions $\alpha_i \in \mathcal{A}_\alpha$.

Denote the frequency selection of a secondary user SU_i using $\alpha_i = [a_{i1}, a_{i2}, \dots, a_{iM}] \in \mathcal{A}_\alpha = \{0, 1\}^M$, where $a_{ij} = 1$ represents the fact that the secondary user SU_i chooses the frequency channel F_j . Otherwise, $a_{ij} = 0$. Let α_{-i} denote the actions of the other secondary users except SU_i . Let $\mathbf{A} = [\mathbf{a}_1, \dots, \mathbf{a}_N]$ denote the total action set across all secondary users.

As stated in equation (1), each secondary user has its own multimedia quality function as the utility function to maximize. Conventionally, the utility function of a specific user is often modeled solely based on its own action, i.e. $u_i(\mathbf{a}_i)$ without modeling the other secondary users (Wang & Pottie, 2002; van der Schaar & Shanker, 2005). However, in fact, the utility function in cognitive radio networks depends on the effective delay and throughput that the secondary user can get from the frequency channel it selects, and this is related to the channel sharing, which is coupled with other secondary users. Hence, the utility function u_i is also influenced by the action of other secondary users that select this frequency channel. In other words, the utility function can be regarded as $u_i(\mathbf{a}_i, \alpha_{-i})$.

Specifically, each autonomous multimedia user selects its optimal action \mathbf{a}_i^{opt} by solving the optimization problem with the knowledge of α_{-i} :

$$\mathbf{a}_i^{opt} = \arg \max_{\mathbf{a}_i \in \mathcal{A}_{tot}} u_i(\mathbf{a}_i, \boldsymbol{\alpha}_{-i}) \quad (5)$$

Importantly, in an informationally-decentralized cognitive wireless network that consists of decentralized secondary users, the secondary user SU_i may not know the exact actions of other secondary users $\boldsymbol{\alpha}_{-i}$. Moreover, even if all the actions are known, it is unrealistic to assume that the exact action information can be collected timely to compute and maximize the actual utility function $u_i(\mathbf{a}_i, \boldsymbol{\alpha}_{-i})$. Hence, a more practical solution is to dynamically model the other secondary users' behavior by updating their probabilistic frequency selection strategy profile based on some available information exchange, and then maximizes the *expected* utility function of SU_i .

Hence, we define a frequency selection strategy profile of a secondary user SU_i as a vector of probabilities $\mathbf{s}_i = [s_{i1}, s_{i2}, \dots, s_{iM}] \in \mathcal{S}_\alpha = \mathcal{S}^M$, where $s_{ij} \in \mathcal{S}$ ($\mathcal{S} \in [0,1]$) represents the probability of the secondary user SU_i choosing the frequency channel F_j ($a_{ij} = 1$).

Hence, the summation over all the frequency channels, $\sum_{j=1}^M s_{ij} = 1$. Note that s_{ij} can also be viewed as the fraction of data from SU_i transmitted on frequency channel F_j , and hence, multiple frequency channels are selected for a secondary users with $s_{ij} > 0$. Let

$\mathbf{S} = [\mathbf{s}_1^T, \dots, \mathbf{s}_N^T] \in \mathcal{S}^{M \times N}$ denote the total strategy profile across all the secondary users.

The expected utility function, given a fixed strategy profile $\mathbf{S} = (\mathbf{s}_i, \mathbf{s}_{-i})$ is

$$U_i(\tilde{\mathbf{a}}_i(\mathbf{s}_i), \mathbf{s}_{-i}) = E_{(\mathbf{s}_i, \mathbf{s}_{-i})}[u_i(\mathbf{a}_i, \boldsymbol{\alpha}_{-i})], \quad (6)$$

where \mathbf{s}_{-i} denotes the collected frequency selection profile.

$\tilde{\mathbf{a}}_i(\mathbf{s}_i) = [\pi_i, \gamma_i, \mathbf{s}_i, \theta_i] \in \tilde{\mathcal{A}}_{tot} = \mathcal{A}_\pi \times \mathcal{A}_\gamma \times \mathcal{S}_\alpha \times \mathcal{A}_\theta$ represents the transmission strategy using \mathbf{s}_i instead of $\boldsymbol{\alpha}_i$. Then, the optimization problem in equation (5) becomes:

$$\tilde{\mathbf{a}}_i^{opt} = \arg \max_{\tilde{\mathbf{a}}_i \in \tilde{\mathcal{A}}_{tot}} U_i(\tilde{\mathbf{a}}_i(\mathbf{s}_i), \mathbf{s}_{-i}) = \arg \max_{\tilde{\mathbf{a}}_i \in \tilde{\mathcal{A}}_{tot}} \sum_{C_k \in V_i} \lambda_k L_k N_k P_k^{succ}(\tilde{\mathbf{a}}_i(\mathbf{s}_i), \mathbf{s}_{-i}) \quad (7)$$

Figure 1 provides the system architecture of the secondary users. In Section 4, we will discuss how to model the strategy (behavior) \mathbf{s}_{-i} and the impact of the other secondary users using priority queuing analysis.

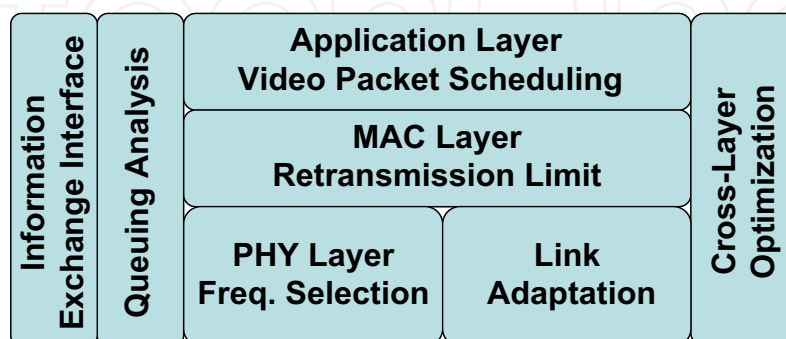


Fig. 1. The system architecture of the cross-layer optimization for video streaming over cognitive radio network

3.2 Cross-layer optimization examples

We first look at the case with 6 secondary users with multimedia streaming applications (“Coastguard”, frame rate of 30Hz, CIF format, delay deadline 500ms) sharing 10 frequency channels ($N = 6, M = 10$). We compare the discussed cross-layer optimization using priority queuing analysis with other two resource allocation algorithms - the “Static Assignment” (Tekinay & Jabbari, 1991) and the “Dynamic Least Interference” (Wang & Pottie, 2002). In the “Static Assignment” algorithm, a secondary user will statically select a frequency channel with the best effective transmission rate without interacting with other secondary users. In the “Dynamic Least Interference” algorithm, a secondary user will dynamically select a single frequency channel that has the least interference from the other users (both secondary users and primary users). We consider 100 random frequency channel conditions as well as the traffic loadings and then compute the average the video PSNR and the standard deviation of the PSNR over the one hundred cases in Table 1 for the 6 video applications. There are primary users randomly appears in each frequency channel (occupying different frequency channels with a fixed loading). The results show that the cross-layer optimization outperforms the other two algorithms for delay-sensitive multimedia applications in terms of video quality (PSNR). The standard deviations of the cross-layer optimization are also smaller than the other two solutions. Unlike the “Dynamic Least Interference” that only considers how a single user adapts to the experienced environment, the multi-agent cross-layer optimization allows the secondary users to track the frequency selection strategies of the other users and adequately optimize the cross-layer transmission strategies. Hence, the users will be able to self-organize into various cognitive radio channels while adapting to the new environmental conditions. In Table 2, we see that the multi-agent cross-layer optimization approach still outperforms the other two approaches with different loadings of the primary users in each frequency channel.

Average $T_{ij}(\theta_i^{opt}) = 1$ Mbps	“Static Assignment - Largest-Bandwidth”		“Dynamic Least Interference”		“Cross-layer Optimization”	
	Average Y-PSNR (dB)	Y-PSNR Standard Deviation	Average Y-PSNR (dB)	Y-PSNR Standard Deviation	Average Y-PSNR (dB)	Y-PSNR Standard Deviation
SU_1	29.48	4.94	29.89	4.32	32.42	1.97
SU_2	29.90	4.89	30.35	4.29	32.62	2.42
SU_3	29.69	5.02	30.37	4.41	32.36	2.26
SU_4	30.59	4.98	30.87	4.37	32.75	2.31
SU_5	29.48	4.98	29.87	4.41	32.40	2.33
SU_6	30.01	5.04	30.65	4.46	32.26	2.67

Table 1. Comparisons of the channel selection algorithms for video streaming with $N = 6, M = 10$.

Average $T_{ij}(\theta_i^{opt}) = 1$ Mbps	No primary users	Primary users randomly appear ($\rho_i = 0.25$)	
	Average Y-PSNR (dB)	Average Y-PSNR (dB)	Y-PSNR Standard Deviation
"Static Assignment"	33.84	29.69	5.02
"Dynamic Least Interference"	33.90	30.37	4.41
"Cross-layer Optimization"	35.61	32.36	2.26

Table 2. Comparisons of the various resource management schemes for video streaming with $N = 6, M = 10$.

Next, let us take a look at the impact of different numbers of secondary users with video streaming applications. Figure 2 shows the average packet loss rate and the average PSNR over the N video streams (instead of over 100 different channel conditions in the previous simulation). The empirical average $T_{ij}(\theta_i^{opt})$ of the frequency channels is shown to be 3 Mbps, instead of 1 Mbps in the previous example. Larger N reduces the available resources that can be shared by the video streams, and hence, increases the application layer packet loss rate (due to the expiration of the delay deadline) and hence, decreases the received video quality. The result shows that the cross-layer optimization using the priority queuing analysis outperforms the other two algorithms for multi-user video streaming applications.

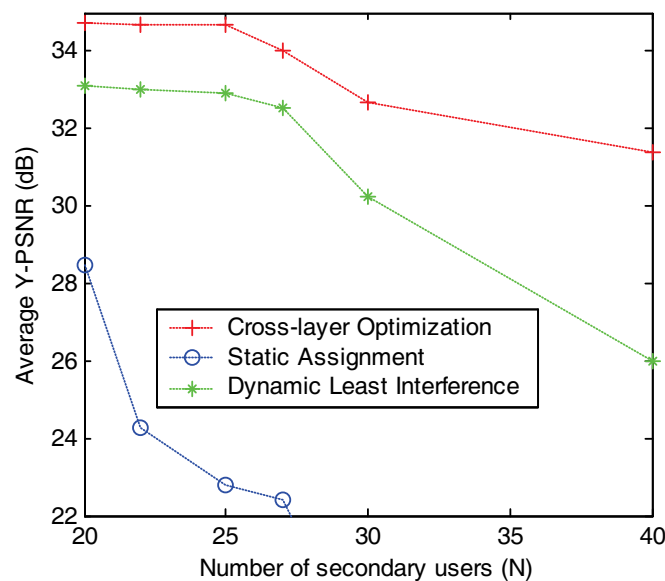


Fig. 2. Average Y-PSNR versus number of secondary users using different resource management schemes

4. Priority Queuing Analysis for Multimedia Transmission in Cognitive Radio Networks

In this section, we discuss the priority queuing analysis for the multimedia streaming problem over cognitive radio networks. The goal is to provide an abstraction of the dynamic

wireless environment and the competing wireless users' behaviors that impact the secondary user's utility. It is important to note that the packets of the competing wireless users are physically waiting at different locations. Figure 3 gives an example of the physical queues for the case of M frequency channels and N secondary users. Each secondary user maintains M physical queues for the various frequency channels, which allows users to avoid the well-known head-of-line blocking effect (Wang et al., 2004).

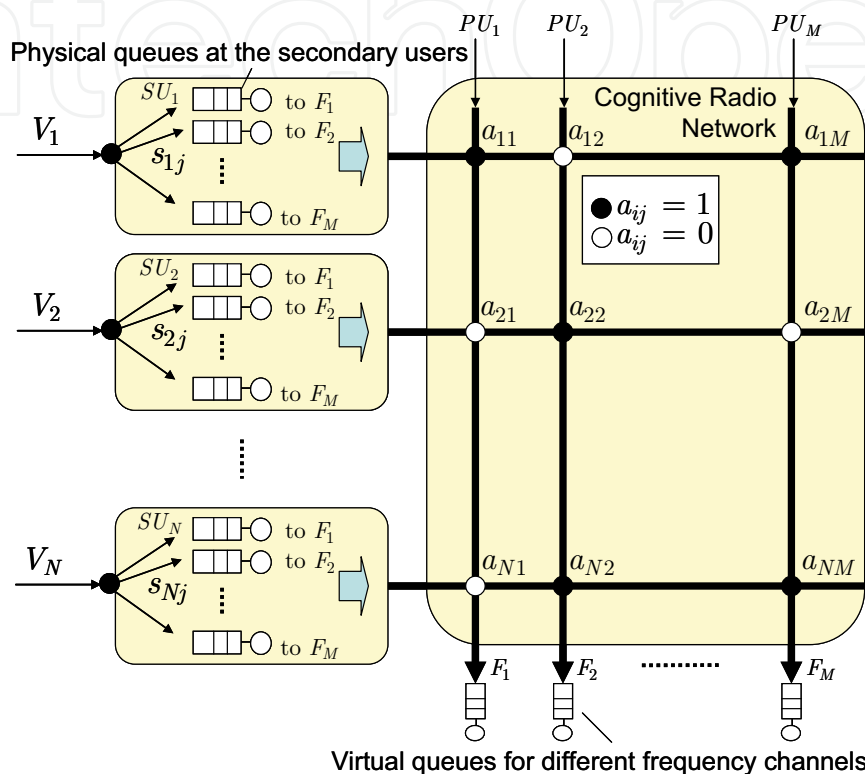


Fig. 3. Frequency selection of the secondary users a_{ij} and physical queues and virtual queues for each frequency channel.

4.1 Traffic models of the users

- Traffic model for primary users** - Assume that the stationary statistics of the traffic patterns of primary users can be modeled by all secondary users. The packet arrival process of a primary user is modeled as a Poisson process with average packet arrival rate r_j^{PU} for the primary user PU_j using the frequency channel F_j . We denote the m th moments of the service time distribution of the primary user PU_j in frequency channel F_j as $E[(X_j^{PU})^m]$. Note that this traffic model description is more general than a Markov on-off model (Shanker et al., 2005), which is a sub-set of the introduced queuing model with an exponential idle period and an exponential busy period. As in Shanker et al., 2005, an M/G/1 model is adopted in this chapter for the traffic descriptions.
- Traffic model for secondary users** - Assume that the average rate requirement for the secondary user SU_i is B_i (bit/s). Let r_{ij} denote the average packet arrival rate of the

secondary user SU_i using the frequency channel F_j . Since the strategy s_{ij} represents the probability of the secondary user SU_i taking action a_{ij} (transmitting using the frequency channel F_j), we have $r_{ij} = s_{ij}B_i / L_i(\boldsymbol{\pi}_i)$, where $L_i(\boldsymbol{\pi}_i)$ denotes the average packet length of the secondary user SU_i depending on which priority class of multimedia packets is chosen in $\boldsymbol{\pi}_i$. If a certain secondary user SU_i can never use the frequency channel F_j , we fix its strategy to $s_{ij} = 0$, and hence, $r_{ij} = 0$. For simplicity, we also model the packet arrival process of the secondary users using a Poisson process.

Since packet errors are unavoidable in a wireless channel, let us assume that packets will be retransmitted, if they are not correctly received. This can be regarded as a protection scheme similar to the Automatic Repeat Request protocol in IEEE 802.11 networks. Hence, the service time of the users can be modeled as a geometric distribution. Let $E[X_{ij}(\boldsymbol{\pi}_i, \gamma_i, \theta_i)]$ and $E[X_{ij}^2(\boldsymbol{\pi}_i, \gamma_i, \theta_i)]$ denote the first two moments of the service time of the secondary user SU_i using the frequency channel F_j . For simplicity, we denote $E[X_{ij}(\boldsymbol{\pi}_i, \gamma_i, \theta_i)]$ and $E[X_{ij}^2(\boldsymbol{\pi}_i, \gamma_i, \theta_i)]$ using $E[X_{ij}]$ and $E[X_{ij}^2]$ hereafter in this chapter. Based on the physical layer link adaptation (Krishnaswamy, 2002), $R_{ij} = [T_{ij}, p_{ij}]$ in equation (3) and (4), we have:

$$E[X_{ij}] = \frac{(L_i(\boldsymbol{\pi}_i) + L_o)(1 - p_{ij}(\theta_i)^{\gamma_i + 1})}{T_{ij}(\theta_i)(1 - p_{ij}(\theta_i))} \approx \frac{(L_i(\boldsymbol{\pi}_i) + L_o)}{T_{ij}(\theta_i)(1 - p_{ij}(\theta_i))}, \quad (8)$$

$$E[X_{ij}^2] \approx \frac{(L_i(\boldsymbol{\pi}_i) + L_o)^2(1 + p_{ij}(\theta_i))}{T_{ij}(\theta_i)^2(1 - p_{ij}(\theta_i))^2}, \quad (9)$$

where L_i is the average packet length of the secondary user SU_i and L_o represents the effective control overhead including the time for protocol acknowledgement, information exchange, and NRM polling delay, etc.

To describe the traffic model, we define the traffic specification² for the secondary user SU_i as $\mathbf{TS}_i = [C_k, B_i, L_i, \mathbf{X}_i, \mathbf{X}_i^2]$, if $SU_i \in C_k$, where $\mathbf{X}_i = [E[X_{ij}] \mid j = 1, \dots, M]$ and $\mathbf{X}_i^2 = [E[X_{ij}^2] \mid j = 1, \dots, M]$ are the vectors of the first two moments of service time when user SU_i transmitting in each frequency channel. This information needs to be exchanged among the secondary users, which will be discussed in more details in Section 4.4.

4.2 Queuing analysis for the secondary users with the same priority

In this subsection, we first consider the case that all packets have the same priority by ignoring the impact of the primary users. In the next subsection, we will generalize these results by considering the impact of the primary users using priority queuing.

In order to solve the dynamic resource management problem, we need to calculate the distribution of the end-to-end delay $D_i(\mathbf{a}_i, \boldsymbol{\alpha}_{-i})$ for the secondary user SU_i to transmit its

² The traffic specification is similar to the TSPEC in current IEEE 802.11e for multimedia transmission.

packets. The expected end-to-end delay $E[D_i]$ of the secondary user SU_i can be expressed as:

$$E[D_i(\mathbf{a}_i, \boldsymbol{\alpha}_{-i})] = \sum_{j=1}^M s_{ij} E[D_{ij}(R_{ij}(\mathbf{a}_i, \boldsymbol{\alpha}_{-i}))], \quad (10)$$

where $E[D_{ij}(R_{ij}(\mathbf{a}_i, \boldsymbol{\alpha}_{-i}))]$ is the average end-to-end delay if the secondary user SU_i chooses the frequency channel F_j . Recall that $R_{ij} = [T_{ij}, p_{ij}] \in \mathcal{R}$ is the channel condition of the channel F_j for the secondary user SU_i . Note that s_{ij} is the strategy of the action a_{ij} . We use the queuing model in Figure 3 and apply queuing theory to calculate the end-to-end delay.

In Figure 3, for a specific secondary user SU_i , each arriving packet will select a physical queue to join (action a_{ij}) according to the strategy s_{ij} . Assume that once a packet selects a physical queue, it cannot jockey to another queue (change position to the other queues). Thus, a queued packet waits in line to be served on the selected frequency channel.

Note that there are N physical queues from N secondary users for a frequency channel F_j . Only one of them can transmit its packets at any time. Hence, we form a "virtual queue" for the same frequency channel (see Figure 4). In a virtual queue, the packets of the different secondary users wait to be transmitted. Importantly, the total sojourn time (queue waiting time plus the transmission service time) of this virtual queue now becomes the actual service time at each of the physical queues. The concept is similar to the "service on vacation" (Bertsekas & Gallager, 1987) in queuing theory, and the waiting time of the virtual queue can be regarded as the "vacation time".

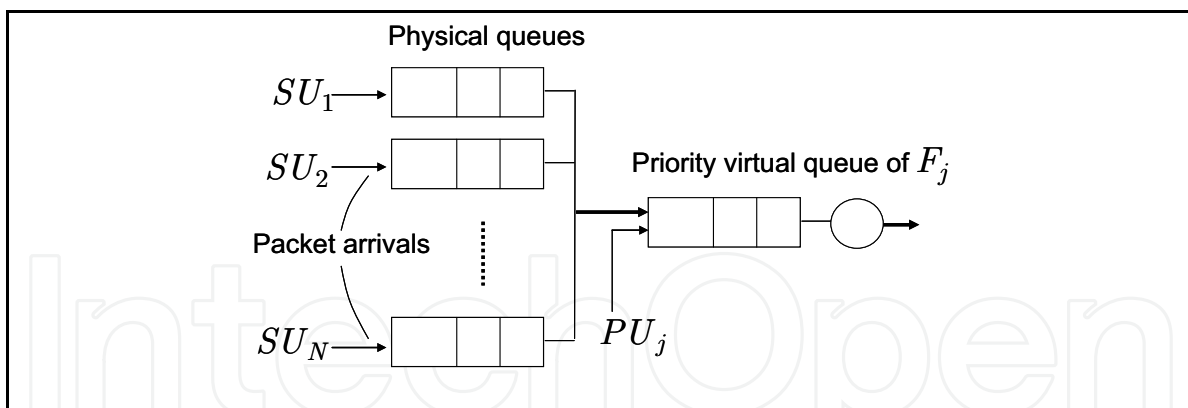


Fig. 4. Priority virtual queue for a specific frequency channel.

Since the number of the secondary users in a regular cognitive radio network is usually large, we can approximate the virtual queue using the FIFO (First-In-First-Out) M/G/1 queuing model (i.e. when $N \rightarrow \infty$, the input traffic of the virtual queue can be modeled as a Poisson process). The average arrival rate of the virtual queue of the frequency channel F_j

is $\sum_{i=1}^N r_{ij}$. Let us denote the first two moments of the service time for the virtual queue of the frequency channel F_j as $E[\tilde{X}_j]$ and $E[\tilde{X}_j^2]$. For a packet in the virtual queue of

frequency channel F_j , we determine the probability of the packet coming from the secondary user SU_i as:

$$f_{ij} = \frac{s_{ij}}{\sum_{k=1}^N s_{kj}}. \quad (11)$$

Hence,

$$E[\tilde{X}_j] = \sum_{i=1}^N f_{ij} E[X_{ij}], \quad E[\tilde{X}_j^2] = \sum_{i=1}^N f_{ij} E[X_{ij}^2]. \quad (12)$$

Let \tilde{W}_j and \tilde{D}_j represent the queue waiting time and sojourn time of the virtual queue of the frequency channel F_j , respectively. $E[\tilde{W}_j]$ can be obtained from the Pollaczek-Khinchin formula (Bertsekas & Gallager, 1987). Then, $E[\tilde{D}_j]$ can be obtained as:

$$E[\tilde{D}_j] = E[\tilde{W}_j] + E[\tilde{X}_j] = \frac{\sum_{i=1}^N r_{ij} E[\tilde{X}_j^2]}{2 \left(1 - \sum_{i=1}^N r_{ij} E[\tilde{X}_j] \right)} + E[\tilde{X}_j]. \quad (13)$$

Then, we apply G/G/1 approximation based on the work of (Abate et al., 1995; Jiang et al., 2001) for the virtual queuing delay distribution:

$$\text{Prob}(\tilde{D}_j > t) = \sum_{i=1}^N r_{ij} E[\tilde{X}_j] \exp\left(-\frac{t \sum_{i=1}^N r_{ij} E[\tilde{X}_j]}{E[\tilde{D}_j]}\right). \quad (14)$$

This virtual queuing delay distribution is the service time distribution of the physical queues at the secondary users. Since the service time of the physical queue is an exponential distribution (see equation (14)), the average end-to-end delay of the secondary user SU_i sending packets through frequency channel F_j is approximately:

$$E[D_{ij}] = \frac{E[\tilde{D}_j]}{1 - r_{ij} E[\tilde{D}_j]}, \quad \text{for } r_{ij} E[\tilde{D}_j] < 1. \quad (15)$$

Strategies (s_i, s_{-i}) such that $r_{ij} E[\tilde{D}_j] \geq 1$ will result in an unbounded delay $E[D_{ij}]$, which is undesirable for multimedia streaming. The advantage of this approximation is that once the average delay of the virtual queue $E[\tilde{D}_j]$ for a certain frequency channel F_j is known by the secondary user SU_i , the secondary user can immediately calculate the expected end-to-end delay $E[D_{ij}]$ of a packet transmitting using the frequency channel F_j .

4.3 Queuing analysis with the impact of higher priority users

Based on the derivations in the previous subsection, we now consider the impact of primary users. First, let us consider the case that there are only two priority classes (i.e. $K = 2$, $\text{PU} \in C_1$, $\text{SU} \in C_2$). Note that in the introduced queuing model in Figure 4, the packets from the primary users will not be seen at the physical queues of the secondary users, but

only have impact on the virtual queues of the frequency channels. Since the primary users are the first priority in each of the frequency channels, we modeled the virtual queues for a particular frequency channel using a priority M/G/1 queue instead of a FIFO M/G/1 queue. Recall that the average input rate of the primary user PU_j is λ_j^{PU} , and the first two moments of the service time is $E[X_j^{PU}]$ and $E[X_j^{PU2}]$. By applying the Mean Value Analysis (MVA) in queuing theory (Kleinrock, 1975), we modify equation (13) into a priority M/G/1 queuing case:

$$\begin{aligned} E[\tilde{D}_j] &= E[\tilde{W}_j] + E[\tilde{X}_j] \\ &= \frac{r_j^{PU} E[(X_j^{PU})^2] + \sum_{i=1}^N r_{ij} E[\tilde{X}_j^2]}{2(1 - r_j^{PU} E[X_j^{PU}]) (1 - \sum_{i=1}^N r_{ij} E[\tilde{X}_j] - r_j^{PU} E[X_j^{PU}])} + E[\tilde{X}_j], \quad (16) \\ &= \frac{\rho_j^2 + \mu_j^2}{2(1 - \rho_j)(1 - \rho_j - \mu_j)} + E[\tilde{X}_j] \end{aligned}$$

ρ_j represents the normalized loading of the primary user PU_j for the frequency channel F_j , and

$$\rho_j = r_j^{PU} E[X_j^{PU}], \quad \rho_j^2 = r_j^{PU} E[(X_j^{PU})^2]. \quad (17)$$

μ_j represents the summation of the normalized traffic loading of all the secondary users using the frequency channel F_j , and

$$\mu_j = \sum_{i=1}^N r_{ij} E[\tilde{X}_j], \quad \mu_j^2 = \sum_{i=1}^N r_{ij} E[\tilde{X}_j^2]. \quad (18)$$

Hence, we substitute the $E[\tilde{D}_j]$ of equation (16) into equation (15), and determine the average end-to-end delay $E[D_{ij}]$ of the secondary user SU_i sending packets using frequency channel F_j while considering the impact of the primary user PU_j .

The derivation can be generalized to K priority classes among users ($K > 2$, $\mathbf{PU} \in C_1$, $\mathbf{SU} \in \{C_2, \dots, C_K\}$). Similar to the two priority classes' case, the priority queuing model only affects the virtual queues for different frequency channels. Since the secondary users now have different priorities, the secondary users in different priority classes will experience different virtual queuing delay. Let $E[\tilde{D}_{jk}]$ represent the virtual queuing delay experienced by the secondary user in class C_k in the virtual queue for the frequency channel F_j . Let μ_{jk} represent the normalized traffic loading of all the class C_k secondary users using the frequency channel F_j . Based on the definition in the two priority users' case, we have:

$$\mu_{jk} = \sum_{\forall SU_i \in C_k} r_{ij} E[\tilde{X}_j], \text{ and } \mu_{jk}^2 = \sum_{\forall SU_i \in C_k} r_{ij} E[\tilde{X}_j^2]. \quad (19)$$

By applying the Mean Value Analysis (MVA) (Kleinrock, 1975), we have:

$$E[\tilde{D}_{jk}] = E[\tilde{W}_{jk}] + E[\tilde{X}_j] = \frac{\rho_j^2 + \sum_{l=2}^k \mu_{jl}^2}{2(1 - \rho_j - \sum_{l=2}^{k-1} \mu_{jl})(1 - \rho_j - \sum_{l=2}^k \mu_{jl})} + E[\tilde{X}_j]. \quad (20)$$

Hence, for a secondary user $SU_i \in C_k$ using the frequency channel F_j , its end-to-end delay $E[D_{ij}]$ and probability of packet loss $P_{ij}(\tilde{\mathbf{a}}_i(\mathbf{s}_i), \mathbf{s}_{-i})$ become:

$$E[D_{ij}] = \frac{E[\tilde{D}_{jk}]}{1 - r_{ij}E[\tilde{D}_{jk}]}, \text{ for } r_{ij}E[\tilde{D}_{jk}] < 1, SU_i \in C_k, \quad (21)$$

$$P_{ij}(\tilde{\mathbf{a}}_i(\mathbf{s}_i), \mathbf{s}_{-i}) = r_{ij} \exp\left(-\frac{r_{ij}(1 - r_{ij}E[\tilde{D}_{jk}])d_i}{E[\tilde{D}_{jk}]}\right), \text{ for } SU_i \in C_k. \quad (22)$$

Therefore, we can approximate the objective function in equation (7) for the multimedia streaming of the secondary user SU_i as (note that $\sum_{j=1}^M s_{ij} = 1$):

$$\begin{aligned} & \underset{\tilde{\mathbf{a}}_i \in \tilde{\mathcal{A}}_{tot}}{\text{maximize}} \sum_{C_k \in V_i} \lambda_k L_k N_k \cdot P_k^{succ}(\tilde{\mathbf{a}}_i(\mathbf{s}_i), \mathbf{s}_{-i}) \\ \Rightarrow & \underset{\tilde{\mathbf{a}}_i \in \tilde{\mathcal{A}}_{tot}}{\text{maximize}} \sum_{C_k \in V_i} \lambda_k L_k N_k \cdot \sum_{j=1}^M s_{ij} (1 - P_{ij}(\tilde{\mathbf{a}}_i(\mathbf{s}_i), \mathbf{s}_{-i})) \\ \Rightarrow & \underset{\tilde{\mathbf{a}}_i \in \tilde{\mathcal{A}}_{tot}}{\text{maximize}} \sum_{C_k \in V_i} \lambda_k L_k N_k \sum_{j=1}^M s_{ij} \left(1 - r_{ij} \exp\left(-\frac{r_{ij}(1 - r_{ij}E[\tilde{D}_{jk}(\tilde{\mathbf{a}}_i(\mathbf{s}_i), \mathbf{s}_{-i}))d_i}{E[\tilde{D}_{jk}(\tilde{\mathbf{a}}_i(\mathbf{s}_i), \mathbf{s}_{-i})]}\right)\right) \end{aligned} \quad (23)$$

Note that only $E[\tilde{D}_{jk}]$ depends on the strategies \mathbf{s}_{-i} of other secondary users.

We provide here an example that considers a simple network with two secondary users and three frequency channels (i.e. $N = 2$, $M = 3$). In the simple example, the behavior of the proposed cognitive radio model can be clearly understood. Assume that each secondary user can choose all three frequency channels. The two secondary users are in the same priority class. The simulation parameters of the secondary users are presented in Table 3 including the channel conditions $R_{ij} = [T_{ij}, p_{ij}]$, and initial strategies $\mathbf{s}_i(0)$, etc. The normalized traffic statistics of the primary users are given in Table 4.

Secondary users	Physical transmission rate $T_{ij}(\theta_i^{opt})$ (Mbps)			Physical packet error rate $p_{ij}(\theta_i^{opt})$			Rate requirement B_i (Mbps)
	F_1	F_2	F_3	F_1	F_2	F_3	
SU_1	1.88	1.27	1.07	0.11	0.17	0.17	0.92
SU_2	1.32	1.68	1.20	0.03	0.05	0.11	0.74

Table 3. Considered parameters of the secondary users in the example.

Primary users	Normalized loading ρ_j	Second moment normalized loading ρ_j^2
PU_1	0.2	1×10^{-4}
PU_2	0.1	1×10^{-4}
PU_3	0.3	1×10^{-4}

Table 4. Considered parameters of the primary users in the example.

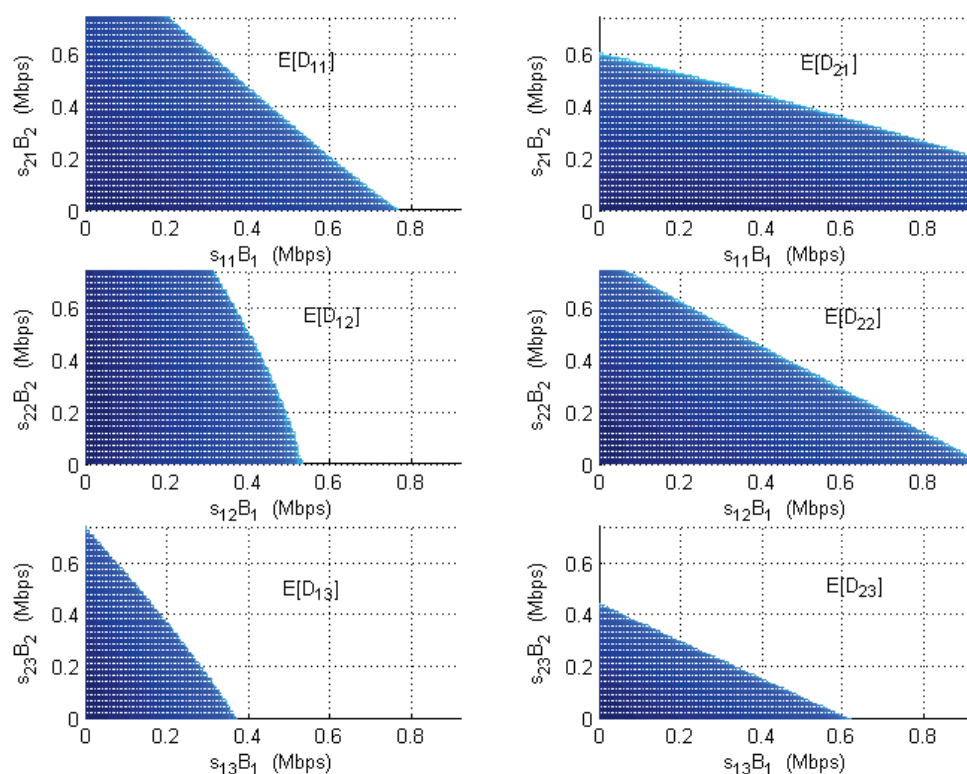


Fig. 5. Analytical expected delay of the secondary users with various strategies in different frequency channels, shadow part represents a bounded delay below the delay deadline (stable region).

Given the statistics, Figure 5 provides the different strategy pairs (s_{1j}, s_{2j}) in the three frequency channels that keep the analytical experienced delays $E[D_{ij}]$ (using equation (21)) bounded by the delay deadlines for the two secondary users. Importantly, a strategy pair (s_{1j}, s_{2j}) that results in an unbounded $E[D_{ij}]$ will make the multimedia quality drop abruptly for the delay-sensitive applications, which is undesirable for these secondary users. Figure 5 clearly shows when the channel conditions become worse (from F_1 to F_3), the selectable frequency strategy pairs becomes less. Hence, equation (21) provides the analytical operation points for the frequency selection strategy pairs.

4.4 Realistic framework for multimedia transmission over cognitive radio networks using queuing analysis

The priority virtual queue analysis requires the following information to compute μ_{jl} and μ_{jl}^2 in (20):

- Priority: the secondary users' priorities.
- Normalized loading: the secondary users' normalized loading parameters $r_{ij}E[\tilde{X}_j]$, which not only include the information of s_i , but also reflects the input traffic loading and the expected transmission time using a specific frequency channel.
- Variance statistics: the secondary users' variance statistics with the normalized parameter $r_{ij}E[\tilde{X}_j^2]$.

Hence, two kinds of information exchange are defined for the priority virtual queue analysis:

- Other secondary users' traffic specification \mathbf{TS}_{-i} .
- The frequency selection information of the other secondary users to model the strategies s_{-i} .

Figure 6 shows the block diagram of the introduced priority virtual queue interface (Shiang & van der Schaar, 2008) together with the cross-layer optimization approach in Section 3.1. Since the traffic specification \mathbf{TS}_i only varies when the frequency channels change dramatically, the traffic specification can be exchanged only when a secondary user joins the network. On the other hand, the frequency selection information can be exchanged more frequently (e.g. once per service interval in van der Schaar et al., 2006). Note that since the users in the higher priority classes will not be affected by the users in the lower priority classes, they do not need the information from the users in a lower priority class. Hence, the information exchanges (overheads) and computational complexity will be scalable and will increase as the traffic priority decreases, thereby benefiting the high priority and low-delay traffic.

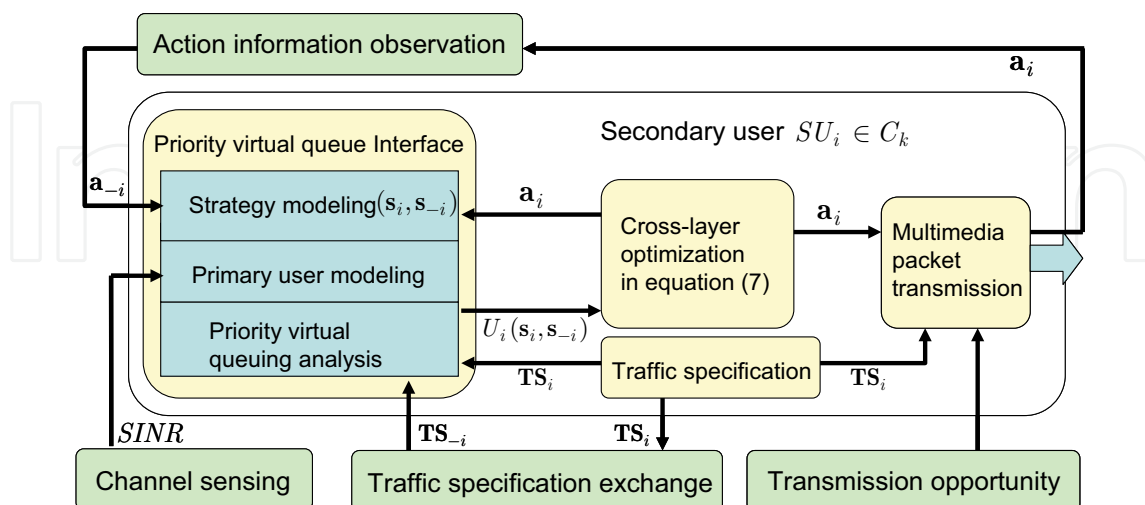


Fig. 6. Block diagram of the priority virtual queue interface and the cross-layer optimization for multimedia streaming over the cognitive radio networks.

5. Conclusions

In this chapter, we discussed the priority virtual queuing architecture for heterogeneous and autonomous secondary users in cognitive radio networks, based on which they can time share the various frequency channels in a distributed fashion. With the information exchange defined by the proposed interface, the secondary users can build an abstraction of the dynamic wireless environment as well as the competing wireless users' behaviors and learn how to efficiently adapt their transmission strategies for multimedia streaming. Importantly, unlike conventional channel allocation schemes that select the least interfered channel merely based on the channel estimation, the introduced multi-agent priority queue modeling allows the secondary users to track the other users and adequately adapt their own transmission strategies to the changing multi-user environment. It can be shown that the introduced cross-layer optimization that applies priority queuing analysis significantly outperforms the fixed channel allocation and the current dynamic channel allocation that selects the least interfered channel, in terms of multimedia quality. Finally, we discuss the required information exchange that is required for the queuing analysis and present a realistic framework for the secondary users to transmit multimedia traffic over cognitive radio networks.

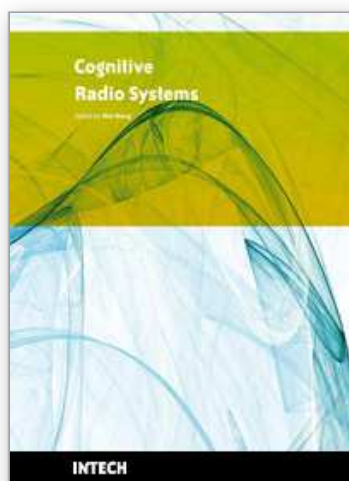
6. References

- Abate, J.; Choudhury, G. L. & Whitt, W. (1995). "Exponential approximations for tail probabilities in queues I: Waiting times", in *Operations Research*, vol. 43, no. 5, pp 885-901, 1995.
- Akyildiz, I. F.; Lee, W. -Y.; Vuran, M. C. & Mohanty, S. (2006). "NeXt generation/dynamic spectrum access/cognitive radio wireless networks: a survey," *Computer Networks: The International Journal of Computer and Telecommunication Networking*, vol. 50, no. 13, Sep 2006.
- Bertsekas, D. & Gallager, R. (1987). *Data Networks*, Prentice Hall, Inc. Upper Saddle River, NJ, 1987.
- Brik, V. ; Rozner, E.; Banarjee, S. & Bahl, P. (2005). "DSAP: a protocol for coordinated spectrum access," in *Proc. IEEE DySPAN 2005, Nov. 2005*, pp. 611-614.
- Brown, T. X. (2005). "An analysis of unlicensed device operation in licensed broadcast service bands," in *Proc. IEEE DySPAN 2005, Nov 2005*, pp. 11-29.
- Chou, P. A. & Miao, Z. (2006). "Rate-Distortion Optimized Streaming of Packetized Media," in *IEEE Transactions on Multimedia*, vol. 8, no. 2, Apr. 2006, pp. 390-404.
- Cordeiro, C.; Challapali, K.; Birru D. & Shankar S. (2006). "IEEE 802.22: An Introduction to the First Wireless Standard based on Cognitive Radios," in *Journal of Communications, Academy Publishers*, vol. 1, no. 1, Apr 2006.
- Fu, F. & van der Schaar, M. (2007). "Noncollaborative Resource Management for Wireless Multimedia Applications Using Mechanism Design," in *IEEE Trans. Multimedia*, vol. 9, no. 4, pp. 851-868, Jun. 2007.
- Haykin, S. (2005). "Cognitive Radio: Brain-Empowered Wireless Communications," in *IEEE Journal on Selected Areas in Communications*, vol. 23, no. 2, Feb 2005.
- Jiang, T.; Tham, C. K. & Ko, C. C. (2001). "An approximation for waiting time tail probabilities in multiclass systems", *IEEE Communications Letters*, vol. 5, no. 4, pp

- 175-177. April 2001.
- Jurca, D. & Frossard P. (2007). "Packet Selection and Scheduling for Multipath video streaming," *IEEE Transactions on Multimedia*, vol. 9, no. 2, Apr. 2007.
- Kleinrock, L. (1975). *Queuing Systems Volume I: Theory*, NY: Wiley-Interscience Publication, 1975.
- Krishnaswamy, D. (2002). "Network-assisted link adaptation with power control and channel reassignment in wireless networks," *3G Wireless Conference*, pp. 165-170, 2002.
- Mitola, J. III & Maguire, G. Q. Jr. (1999). "Cognitive radio: Making software radios more personal," in *IEEE Pers. Commun.*, vol. 6, no. 4, pp. 13-18, Aug. 1999.
- Mohr, A. E.; Riskin, E. A. & Ladner, R. E. (2000). "Unequal loss protection: Graceful degradation of image quality over packet erasure channels through forward error correction," in *IEEE J. Sel. Areas Commun.*, vol. 18, no. 6, pp. 819-829, Jun. 2000.
- Setton, E.; Yoo, T.; Zhu, X.; Goldsmith A. & Girod, B. (2005). "Cross-layer design of Ad hoc Networks for real-time video streaming," *IEEE Wireless Communications Mag.*, pp. 59-65, Aug 2005.
- Shankar, S.; Chou, C. T.; Challapali, K. & Mangold, S. (2005). "Spectrum agile radio: capacity and QoS implementations of dynamic spectrum assignment," *Global Telecommunications Conference*, Nov. 2005.
- Shiang, H. -P. & van der Schaar, M. (2007a). "Multi-user video streaming over multi-hop wireless networks: A distributed, cross-layer approach based on priority queuing," *IEEE J. Sel. Areas Commun.*, vol. 25, no. 4, pp. 770-785, May 2007.
- Shiang, H. -P. & van der Schaar, M. (2007b). "Informationally Decentralized Video Streaming over Multi-hop Wireless Networks," in *IEEE Trans. Multimedia*, vol. 9, no. 6, pp. 1299-1313, Sep 2007.
- Shiang, H. -P. & van der Schaar, M. (2008). "Queuing-Based Dynamic Channel Selection for Heterogeneous Multimedia Applications over Cognitive Radio Networks," in *IEEE Trans. Multimedia*, vol. 10, no.5, pp. 896-909, Aug. 2008.
- Shiang, H. -P. & van der Schaar, M. (2009), "Distributed Resource Management in Multi-hop Cognitive Radio Networks for Delay Sensitive Transmission," *IEEE Transactions on Vehicular Technology*, vol. 58, no. 2, pp. 941-953, Feb 2009.
- Stine, J. A. (2005). "Spectrum management: the killer application of ad hoc and mesh networking," in *Proc. IEEE DySPAN 2005*, Nov. 2005, pp. 184-193.
- Stockhammer, T.; Hannuksela, M. M. & Wiegand, T. (2003). "H. 264/AVC in Wireless Environments," in *IEEE Transactions on Circuits and Systems for Video Technology*, vol. 13, no. 7, July 2003, pp. 657-673.
- Tekinay S. & Jabbari, B. (1991). "Handover and Channel Assignment in Mobile Cellular Networks," *IEEE Communication Magazine*, vol. 29, pp. 42-46, Nov 1991.
- van der Schaar, M.; Andreopoulos, Y. & Hu, Z. (2006). "Optimized Scalable Video Streaming over IEEE 802.11a/e HCCA Wireless Networks under Delay Constraints," *IEEE Trans. On Mobile Computing*, vol. 5, no. 6, pp. 755 - 768, June 2006.
- van der Schaar, M. & Chou, P. (2007). *Multimedia over IP and Wireless Networks*, Academic Press, 2007.
- van der Schaar, M. & Fu, F. (2009). "Spectrum Access Games and Strategic Learning in Cognitive Radio Networks for Delay-Critical Applications," accepted to *Proc. of IEEE, Special issue on Cognitive Radio*, to appear Early 2009.

- van der Schaar, M. & Shankar, S. (2005). "Cross-layer wireless multimedia transmission: challenges, principles, and new paradigms," *IEEE Wireless Commun. Mag.*, vol. 12, no. 4, pp. 50-58, Aug. 2005.
- van der Schaar, M. & Turaga, D. S. (2007). "Cross-layer Packetization and Retransmission Strategies for Delay-sensitive wireless Multimedia Transmission," *IEEE Transactions on Multimedia*, vol. 9, no. 1, pp. 185-197, Jan 2007.
- Wang, C. C. & Pottie, G. J. (2002). "Variable Bit Allocation for FH-CDMA Wireless Communication Systems," in *IEEE Transactions on Communications*, vol.50, no. 6, Oct 2002.
- Wang, M. & van der Schaar, M. (2006). "Operational Rate-Distortion Modeling for Wavelet Video Coders," in *IEEE Transactions on Signal Processing*, vol. 54, no. 9, pp. 3505-3517, Sep. 2006.
- Wang, J.; Zhai, H. & Fang, Y. (2004). "Opportunistic packet scheduling and media access control for wireless LANs and multi-hop ad hoc networks," in *IEEE Wireless Communications and Networking Conference*, vol. 2, pp. 1234-1239, Mar 2004.
- Zekavat, S. A. & Li, X. (2006). "Ultimate Dynamic Spectrum Allocation via User-central Wireless Systems," *Journal of Communications, Academy Publishers*, vol. 1, issue 1, pp. 60-67, Apr 2006.
- Zhao, J.; Zheng, H. & Yang, G.-H. (2005). "Distributed coordination in dynamic spectrum allocation networks," in *Proc. IEEE DySPAN 2005*, Nov 2005, pp. 259-268.

IntechOpen



Cognitive Radio Systems

Edited by Wei Wang

ISBN 978-953-307-021-6

Hard cover, 340 pages

Publisher InTech

Published online 01, November, 2009

Published in print edition November, 2009

Cognitive radio is a hot research area for future wireless communications in the recent years. In order to increase the spectrum utilization, cognitive radio makes it possible for unlicensed users to access the spectrum unoccupied by licensed users. Cognitive radio let the equipments more intelligent to communicate with each other in a spectrum-aware manner and provide a new approach for the co-existence of multiple wireless systems. The goal of this book is to provide highlights of the current research topics in the field of cognitive radio systems. The book consists of 17 chapters, addressing various problems in cognitive radio systems.

How to reference

In order to correctly reference this scholarly work, feel free to copy and paste the following:

Hsien-Po Shiang and Mihaela van der Schaar (2009). Multi-User Multimedia Transmission over Cognitive Radio Networks Using Priority Queuing, Cognitive Radio Systems, Wei Wang (Ed.), ISBN: 978-953-307-021-6, InTech, Available from: <http://www.intechopen.com/books/cognitive-radio-systems/multi-user-multimedia-transmission-overcognitive-radio-networks-using-priority-queuing>

INTECH

open science | open minds

InTech Europe

University Campus STeP Ri
Slavka Krautzeka 83/A
51000 Rijeka, Croatia
Phone: +385 (51) 770 447
Fax: +385 (51) 686 166
www.intechopen.com

InTech China

Unit 405, Office Block, Hotel Equatorial Shanghai
No.65, Yan An Road (West), Shanghai, 200040, China
中国上海市延安西路65号上海国际贵都大饭店办公楼405单元
Phone: +86-21-62489820
Fax: +86-21-62489821

© 2009 The Author(s). Licensee IntechOpen. This chapter is distributed under the terms of the [Creative Commons Attribution-NonCommercial-ShareAlike-3.0 License](https://creativecommons.org/licenses/by-nc-sa/3.0/), which permits use, distribution and reproduction for non-commercial purposes, provided the original is properly cited and derivative works building on this content are distributed under the same license.

IntechOpen

IntechOpen