

We are IntechOpen, the world's leading publisher of Open Access books Built by scientists, for scientists

5,500

Open access books available

134,000

International authors and editors

165M

Downloads

Our authors are among the

154

Countries delivered to

TOP 1%

most cited scientists

12.2%

Contributors from top 500 universities



WEB OF SCIENCE™

Selection of our books indexed in the Book Citation Index
in Web of Science™ Core Collection (BKCI)

Interested in publishing with us?
Contact book.department@intechopen.com

Numbers displayed above are based on latest data collected.
For more information visit www.intechopen.com



Application of Wavelet Transform and Artificial Neural Network to Extract Power Quality Information from Voltage Oscillographic Signals in Electric Power Systems

R. N. M. Machado¹, U. H. Bezerra²,
M. E. L. Tostes², S. C. F. Freire¹ and L. A. Meneses¹

¹*Federal Institute of Technological Education, Belém, Pará*

²*Federal University of Pará, Belém, Pará
Brazil*

1. Introduction

Post-operation contingencies analysis in electrical power systems is of fundamental importance for the system secure operation, and also to maintain the quality of the electrical energy supplied to consumers. The electrical utilities use equipments as Digital Disturbance Registers (DDR), and Intelligent Electronics Devices (IED) for faults monitoring, and diagnosis about the electrical power systems operation and protection. In general, the DDR and IED are intended to monitor the protection system performance and detect failures in equipments and transmission lines, and also generate analog and digital oscillographic registers that better characterize the disturbing events.

The oscillographic signals often analyzed in the post-operation centers are those generated by events that typically cause the opening of transmission lines due to the action of protective relays. So, these records are analyzed in detail to determine the causes and consequences of these occurrences within the electrical system. Although the software used in the post-operation centers presents numerous features for the evaluation of the recorded signals, the selection of the signals to be analyzed is done in a manual way, which leads to an analysis in an individual basis, and many of the oscillographic records that could help analyzing the occurrences are not evaluated due to the long time that would be spent to select them manually.

Another aspect to be noted is that the oscillographic records remain stored in the post-operation centers for time periods ranging from months to years. These records contain signals acquired in different parts of the electrical system, and the vast majority of them are no longer being considered in the analysis. These data, however, may contain important information about the behavior and performance of the electrical system that may precisely characterize the power quality problem due to a failure or disturbance.

One of the main difficulties in using measurements, obtained by DDR, in the evaluation of power quality as compared with those obtained by power quality monitors, is that many of the signal processing stages are not performed automatically by the first. For the oscillographic records to be useful as power quality indicators, it is first necessary to obtain certain parameters to classify the recorded signals according to the event type that has occurred. Considering the case of short duration voltage variations (SDVV), the parameters of interest are the event amplitude and time duration. Obtaining these parameters enables the application of statistical tools as presented in (Bollen, 2000), for results analysis and visualization, which allows having information about the electrical system behavior at certain time intervals, for example, months or years.

Another difficulty, perhaps the most critical, is the large volume of data obtained from oscillographic monitoring. Many of these recorded signals are due to switching maneuvers, or due to spurious signals or noise, without characterizing voltage changes in the electrical system. For this large amount of data to be evaluated, it is necessary that an automatic classification method be used so that only signals with the desired characteristics are used to determine the parameters of interest. This aspect is highlighted in several publications which present new methods for classification and characterization using digital signal processing and computational intelligence tools (Angrisani et al, 1998; Santoso et al, 2000a; Santoso et al, 2000b and Huang et al, 2002; Machado et al, 2009; Rodriguez et al, 2010).

The first use of wavelet transform in power systems is credited to (Ribeiro, 1994). In recent years, wavelet transform - WT, a powerful tool for digital signal processing, has been proposed as a new technique for monitoring and analysis of different disturbances types in power systems (Machado et al, 2009; Mokryani, 2010; A. Rodriguez et al, 2010; Gong Jing, 2010, 2011). Wavelets, along with computational intelligence techniques like artificial neural networks and fuzzy logic, have been used successfully in automatic classification of power quality problems. (Machado et al, 2009; Mokryani, 2010; Rodriguez et al, 2010)

The present work aims to develop an automated system for classifying power quality problems with respect to the fault type that has occurred and the electric phase involved, and quantify SDVV in electrical power systems from the available oscillography in the electrical utilities post-operation centers, to form a parameter database characterizing power quality problems. The proposed methodology uses the wavelet transform to obtain a characteristic pattern to represent the phenomenon and a probabilistic neural network for classification.

2. Wavelet transform

Wavelets are functions that satisfy certain mathematical requirements. The wavelet name comes from the fact that they must be oscillatory (a wave), and be well placed, therefore exhibiting short time duration. There are several wavelet types, usually grouped into families, from which the Daubechies is one of the best known.

Wavelets are used to represent data or other functions in a similar way as the Fourier analysis uses sines and cosines. The signal analysis by wavelet transform has advantages over traditional methods using Fourier analysis when the signals have time discontinuities or present a non-stationary oscillatory behavior.

The mathematics main branch leading to wavelet analysis began with Joseph Fourier (1807) with his frequency analysis theory, known as Fourier analysis. The first wavelet mention appears in the appendix of A. Haar's thesis (1909). Paul Levy a 1930's physicist, investigating the Brownian motion, found that the Haar basis functions are superior to the Fourier basis functions for studying small and complicated details in the Brownian motion. In 1980, Grossman and Morlet, broadly defined wavelets in the context of quantum physics, providing a way of thinking about wavelets based on physical intuition. In 1985, Stephane Mallat gave wavelets an additional advance. Through his work in digital signal processing, he discovered some relationships among quadrature mirror filters - QMF, pyramidal algorithm, and orthogonal wavelet basis. Based partially on these results, Y. Meyer built the first non-trivial wavelets, which unlike the Haar wavelet, the Meyer wavelets are continuously differentiable, but do not have compact support. Years later, Ingrid Daubechies used Mallat's work to build a set of wavelets with orthogonal basis functions that have become the cornerstone of wavelet applications today.

2.1 Wavelet analysis

The wavelet transform is a technique similar to the windowed Fourier transform with the difference that the window width is variable. The wavelet analysis allows the use of large time intervals when it is desired to get low frequency information and shorter time intervals when the interest is to obtain high frequency information. Unlike Fourier analysis that uses sines and cosines, wavelet analysis uses wavelets. Figure 1 shows as an example, the Daubechies wavelet, db8.

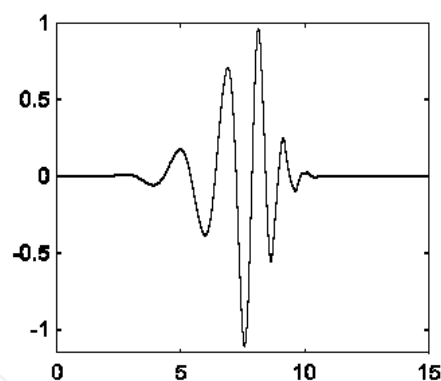


Fig. 1. The Daubechies wavelet, db8.

Wavelets sets are employed to approximate signals, and each set consists of scaled versions (compressed or expanded) and translated (time shifted) from a single wavelet, called mother wavelet.

2.2 Discrete wavelet transform

In the discrete wavelet transform the term "discrete" applies only to the parameters in the transformed domain, that is, scales and translations, and not to the independent variable time, of the function being transformed. The discrete wavelet transform provides a set of coefficients corresponding to points on a grid or two-dimensional lattice of discrete points in the time-scale domain. This grid is indexed by two integers, the first, denoted by m ,

corresponds to the discrete steps of the scale, while the second, denoted by n , corresponds to the discrete steps of translation (time displacement). The scale a becomes $a = a_0^m$ and translation becomes $b = nb_0 a_0^m$, where a_0 and b_0 are the discrete steps of the scale and translation, respectively (Young, 1995). Then the wavelet can be represented by:

$$\psi_{m,n}(t) = a_0^{-\frac{m}{2}} \psi(a_0^{-m}t - nb_0) \quad (1)$$

The discrete wavelet transform is given by:

$$W_f(m,n) = a_0^{-\frac{m}{2}} \int_R f(t) \psi(a_0^{-m}t - nb_0) dt \quad (2)$$

where, $m, n \in Z$, and Z is the set of integer numbers.

The parameter m which is called level, determines the wavelet frequency, while the parameter n indicates its position.

The inverse discrete wavelet transform is given by:

$$f(t) = k \sum_{m=0}^{\infty} \sum_{n=0}^{\infty} W_f(m,n) a_0^{-\frac{m}{2}} \psi(a_0^{-m}t - nb_0) \quad (3)$$

where k is a constant that depends on the redundancy of the combination of the lattice with the used mother wavelet (Young, 1995).

Along with the time-scale plane discretization, the independent variable (time) can also be discretized. The sequence of discrete points of the discretized signal can be represented by a discrete time wavelet series DTWS. The discrete time wavelet series is defined in relation to a discrete mother wavelet, $h(k)$. The discrete wavelet time series maps a discrete finite energy sequence to a discrete grid of coefficients. The discrete time wavelet series is given by (Young, 1995).

$$W_f(m,n) = a_0^{-\frac{m}{2}} \sum f(k) h(a_0^{-m}k - nb_0) \quad (4)$$

2.3 Multiresolution analysis

Multiresolution Analysis - MRA, aims to develop a signal $f(t)$ representation in terms of an orthogonal basis which is composed by the scale and wavelets functions. An efficient algorithm for this representation was developed in 1988 by Mallat (Mallat, 1989) considering a scale factor $a_0 = 2$ and a translation factor $b_0 = 1$. This means that at each decomposition level m , scales are a power of 2 and translations are proportional to powers of 2. Scaling by powers of 2 can be easily implemented by decimation (sub-sampling) and over-sampling of a discrete signal by a factor of 2. Sub-sampling by a factor of 2, involves taking a signal sample from every two available ones, resulting in a signal with half the number of samples

than the original one. Over-sampling by a factor of 2, consists of inserting zeros between each two samples resulting in a signal with twice the elements of the original one.

2.3.1 Analysis or decomposition

The structure of the multiresolution analysis is shown in Figure 2. The original signal passes through two filters, a low pass filter $g(k)$, the function scale, and a high pass filter $h(k)$, the mother wavelet. The impulse response of $h(k)$ is related to the impulse response of $g(k)$ by (Mallat, 1989):

$$h(k) = (-1)^{1-k} g(1-k) \tag{5}$$

Filter $h(k)$ is the mirror of filter $g(k)$ and they are called quadrature mirror filters.

In the structure presented in Figure 2, the input signal is convolved with the impulse response of $h(k)$, and $g(k)$, obtaining two output signals. The low pass filter output represents the low frequency content of the input signal or an approximation of it. The high pass filter output represents the high frequency content of the input signal or a detail of it. It should be noted in Figure 2 that the output provided by the filters has together twice the number of samples of the original signal.

This drawback is overcome by the process of decimation performed on each signal, thereby obtaining the signal cD , the wavelet coefficients that are the new signal representation in the wavelet domain, and the signal cA , the approximation coefficients which are used to feed the next stage of the decomposition process in an iterative manner resulting in a multi-level decomposition.

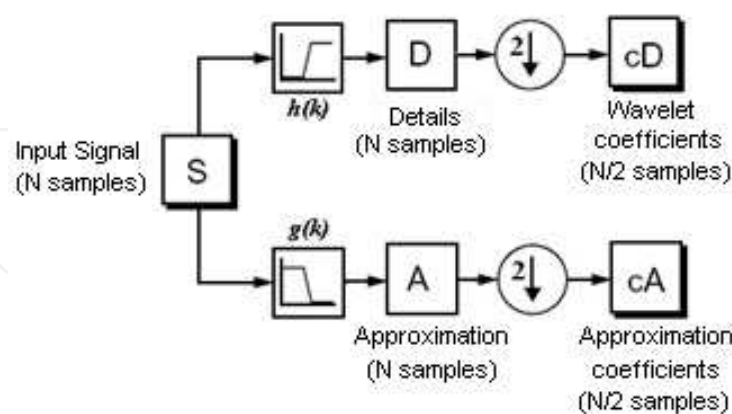


Fig. 2. Structure of the multiresolution analysis

The decomposition process in Figure 2 can be iterated with successive approximations being decomposed, then the signal being divided into several resolution levels. This scheme is called "wavelet decomposition tree" or "pyramidal structure" (Young, 1995 and Misit et al, 2000). Figure 3 shows the schematic representation of a signal being decomposed at multiple levels.

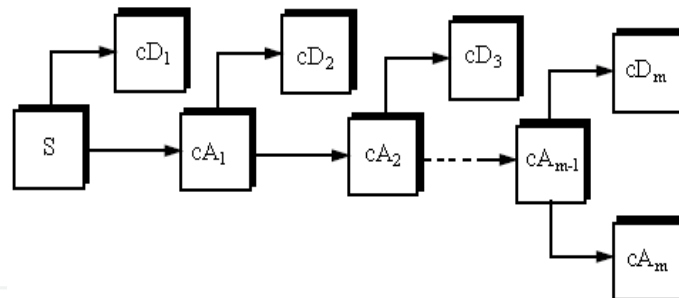


Fig. 3. Schematic representation of a signal being decomposed at multiple levels.

Since the multiresolution analysis process is iterative, it can theoretically be continued indefinitely. In fact, the decomposition can proceed only up to 1 (one) detail, consisting of a single sample. The maximum number of decomposition levels for a signal having N samples is given by $\log_2 N$.

2.3.2 Synthesis or reconstruction

The synthesis process or reconstruction is to obtain the original signal from the wavelet coefficients generated by the analysis or decomposition process. While the analysis process involves filtering and sub-sampling, the synthesis process performs a reverse sequence, over-sampling and filtering. The filters used in the synthesis process are called reconstruction filters, being $g'(k)$ the low pass filter, and $h'(k)$ the high pass filter. Figure 4 shows the reconstruction scheme from a single decomposition stage.

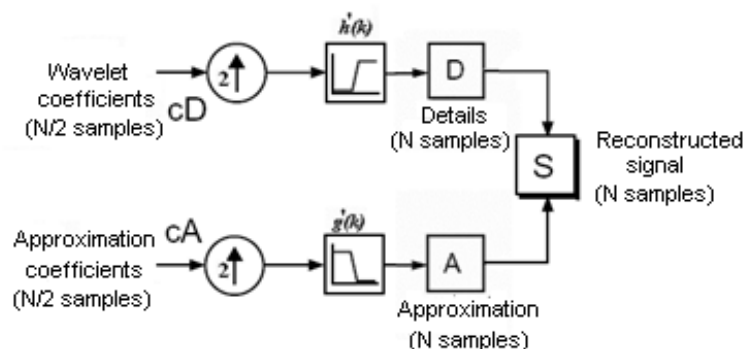


Fig. 4. Reconstruction scheme from a single decomposition stage.

It is observed from Figure 4 that to retrieve the original signal, it is necessary to reconstruct details and approximations. Details could be obtained with over-sampling of the cD coefficients, and a subsequent filtering with $h'(k)$. Approximations are obtained with over-sampling of the coefficients cA , and a subsequent filtering with $g'(k)$. The original signal is then obtained by:

$$S = A + D \quad (6)$$

The scheme presented in Figure 4 can be extended to a multi-level decomposition.

3. Probabilistic neural network

The structure of a Probabilistic Neural Network (PNN) is similar to a feed forward network. The main difference is that the activation function is no longer the sigmoid; it is replaced by a class of functions which includes, in particular, the exponential function. The main advantage of PNN is that it requires only one step for training and that the decision surfaces are close to the contours of the Bayes optimal decision when the number of training samples increases. Furthermore, the shape of the decision surface can be as complex as necessary, or as simple as desired (Specht, 1990).

The main drawback of PNN is that all samples used for the training process must be stored and used in the classification of new patterns. However, considering the use of high-density memories, problems with storage of training samples should not occur. In addition, the PNN processing speed in the classification of new patterns is quite satisfactory, and even several times faster than using back propagation algorithms as reported by (Maloney et al, 1989).

3.1 The Bayes strategy for pattern classification

One of the traditionally accepted strategies or decision rules used to patterns classification is that they minimize the "expected risk." Such strategies are called Bayes strategies, and can be applied to problems containing any number of categories (Specht, 1988).

To illustrate the Bayes decision rule formalism, it is considered the situation of two categories in which the state of known nature θ , can be θ_A or θ_B . It is desired to decide whether $\theta = \theta_A$ or $\theta = \theta_B$ based on a measurements set represented by a n dimension vector x . Then the Bayes decision rule is given by:

$$\begin{aligned} d(x) &= \theta_A \text{ if } h_A l_A f_A(x) > h_B l_B f_B(x) \\ d(x) &= \theta_B \text{ if } h_A l_A f_A(x) < h_B l_B f_B(x) \end{aligned} \quad (7)$$

where $f_A(x)$ and $f_B(x)$ are the probability density functions for categories θ_A and θ_B respectively, l_A is the uncertainty function associated with the decision $d(x) = \theta_B$ when $\theta = \theta_A$; l_B is the uncertainty function associated with the decision $d(x) = \theta_A$ when $\theta = \theta_B$, h_A is the a priori probability of category θ_A patterns occurrence, and $h_B = 1 - h_A$ is the a priori probability that $\theta = \theta_B$. Then, the boundary between the regions in which the Bayes decision $d(x) = \theta_A$ and $d(x) = \theta_B$ is given by:

$$f_A(x) = K f_B(x) \quad (8)$$

where:

$$K = \frac{h_B l_B}{h_A l_A} \quad (9)$$

It should be noted that, in general, the decision surfaces of two categories defined by Eq. (8) can be arbitrarily complex, since there are no restrictions on the densities except for those conditions to which all probability density functions must satisfy, namely that they must be always non-negative, and integrable and their integrals over all space be equal to unity.

The ability to estimate the probability density functions, based on training patterns, is fundamental to the use of Eq. (8). Frequently, a priori probabilities can be known or estimated, and the loss functions require subjective evaluation. However, if the probability densities of the categories patterns to be separate are unknown, and all that is known is a set of training patterns, then, these patterns provide the only clue to the estimation of that unknown probability density. A particular estimator that can be used is (Specht, 1990):

$$f_A(x) = \frac{1}{(2\pi)^{\frac{n}{2}} \sigma^n} \frac{1}{m} \sum_{i=1}^m \exp\left(-\frac{(x-x_{ai})^T(x-x_{ai})}{2\sigma^2}\right) \quad (10)$$

Where i is the pattern number, m is the total number of training patterns, x_{ai} is the i -th training pattern of category θ_A , and σ is the smoothing factor. It should be noted that $f_A(x)$ is simply the sum of small Gaussian distributions centered at each training sample.

3.2 Structure of the Probabilistic Neural Network

The probabilistic neural network is basically a Bayesian classifier implemented in parallel. The PNN, as described by Specht (Specht, 1988), is based on estimation of probability density functions for the various classes established by the training patterns. A schematic diagram for a PNN is shown in Figure 5. The input layer X is responsible for connecting the input pattern to the radial basis layer. $X = [x_1, x_2, \dots, x_M]$ is a matrix containing the vectors to be classified.

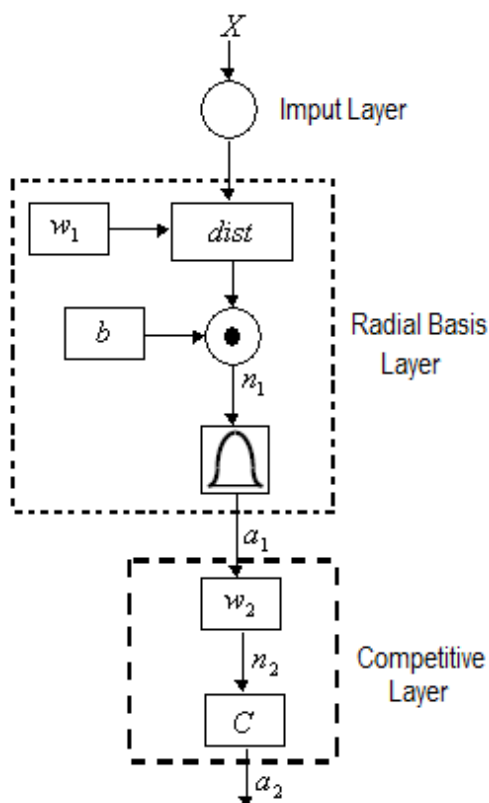


Fig. 5. Schematic diagram of a Probabilistic Neural Network

In the radial basis layer, the training vectors are stored in a weights matrix w_1 . When a new pattern is presented to the input, the block *dist* calculates the Euclidean distance between each input pattern vector for each of the stored weight vectors. The vector in the output block *dist* is multiplied, point by point, by the polarization factor b . The result of this multiplication n_1 is applied to a radial basis function providing as output a_1 , obtained from:

$$a_1 = e^{-n_1^2} \quad (11)$$

This way, a vector in the input pattern close to a training vector is represented by a value close to 1 in the output vector a_1 . The competitive layer of the weight matrix w_2 contains the target vectors representing each class corresponding to each vector in the training pattern. Each vector w_2 has a 1 only in the row associated with a particular class and 0 in other positions. The Multiplication $w_2 a_1$ adds the a_1 elements corresponding to each class, providing the output n_2 . Finally block *C* provides 1 at output a_2 corresponding to the biggest element of n_2 and 0 for the other values. Thus, the neural network classifies each vector of the input pattern in a specific class, because that class has the highest probability of being correct. The main advantage of PNN is its easy and straightforward project, and not depending on training.

4. Proposed procedure

The proposed procedure is shown schematically in Figure 6. The real data file contains phases A-B-C voltages and currents waveforms, as well as digital signals that indicate the statuses of protective devices, as relays and circuit breakers, acquired by DDR and IED installed in the electrical system substations. These raw data are coded in the COMTRADE format for power systems (IEEE Standard Common Format for Transient Data Exchange), (IEEE Std C37.111, 1999). So, to obtain the voltages and currents signals it is firstly necessary to decode the COMTRADE data, and select the desired waveforms to be analyzed.

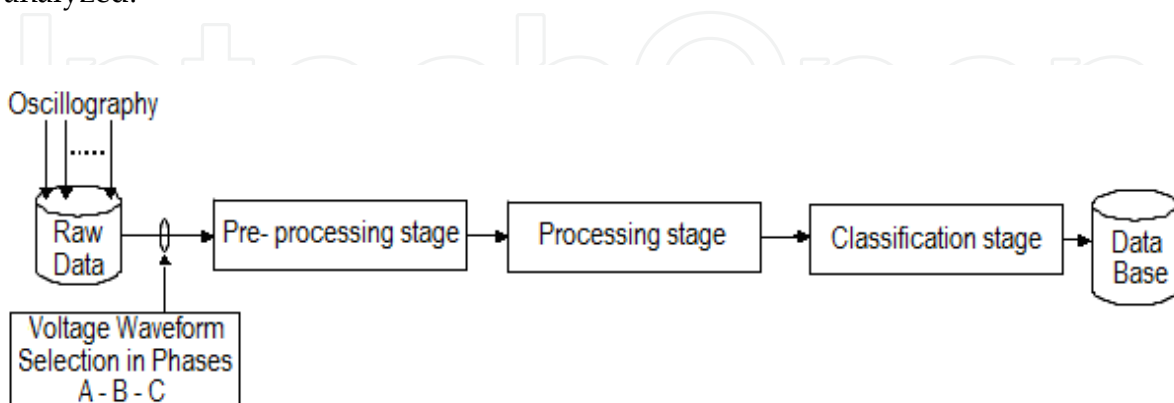


Fig. 6. Schematic diagram representing the proposed processing procedure.

Before inputting the voltages waveforms to the processing stage, a pre-processing routine is accomplished to standardize the raw data due to the different voltage levels that are

encountered in the power system topology. In the case study presented here, the power transmission system presents 230 kV and 500 kV voltage levels. The standardization is performed by converting the phase voltages to per unit (p.u.) values considering the voltage peak value as base voltage.

4.1 Processing stage

In the processing stage, the wavelet transform is applied to the voltage waveforms to obtaining signals patterns that characterize short duration voltage variations (SDVV) and transient variations (TV) due to system faults. These obtained patterns are used as inputs to two Probabilistic Neural Networks for SDVV classification (PNN1), as well as to classify the fault type that has occurred (PNN2). The classification results will form a database which can be used to evaluate power quality indices for the electrical system.

4.1.1 Input patterns

Power systems electromagnetic phenomena are characterized by categories according to their spectral content, magnitude and duration (IEEE Std 1250, 1995). These phenomena classification into categories requires an analysis methodology that very frequently must be individualized, which prevents this procedure applicability when the number of signals to be evaluated is very large. Then, procedures to extract signals relevant characteristics have been proposed, so that they can be automatically classified into a specific category. Obtaining parameters for characterizing a given signal usually requires a transformation from the time domain to another domain where the specific characteristics are highlighted.

The use of wavelet transform has proved adequate for obtaining electrical signals characteristics which can be used in classification processes. Studies such those presented in (Lee et al, 1997; Chan et al, 2000; Santoso et al, 2000c; Ramaswamy et al, 2003; Zwe-Lee et al, 2003; Zwe-Lee, 2004 & Machado et al, 2009), use characteristic vectors based on the multiresolution analysis decomposition levels coefficients as input to computational intelligence-based systems to classify different power quality events. The characteristic vectors magnitudes depend on the number of decomposition levels used for the analysis, or the number of coefficients of a given decomposition level. The method proposed here uses the Daubechies wavelet, db4, and the voltage signals are decomposed into three levels. The first signal detail level is used to determine the time instant the disturbance has started and also to characterize the transients in the fault type identification, while the third signal approximation is used to characterize SDVV. The computational algorithms were implemented on MATLAB, and also coded in Java.

Figure 7(a) shows an original voltage waveform in p.u. obtained from a digital disturbance register (DDR) presenting a voltage sag. The original waveform is decomposed into three resolution levels. In Figures 7(b-d) the signal details from level 1 to level 3 are presented and in Figure 7(e) the signal approximation at level 3. Details retain the high-frequency information contained in the signal, divided into frequency bands which are function of the sampling rate used in the acquisition process. In case of Figure 7, the sampling rate is 96 samples per cycle of 60 Hz, or 5,760 samples per second.

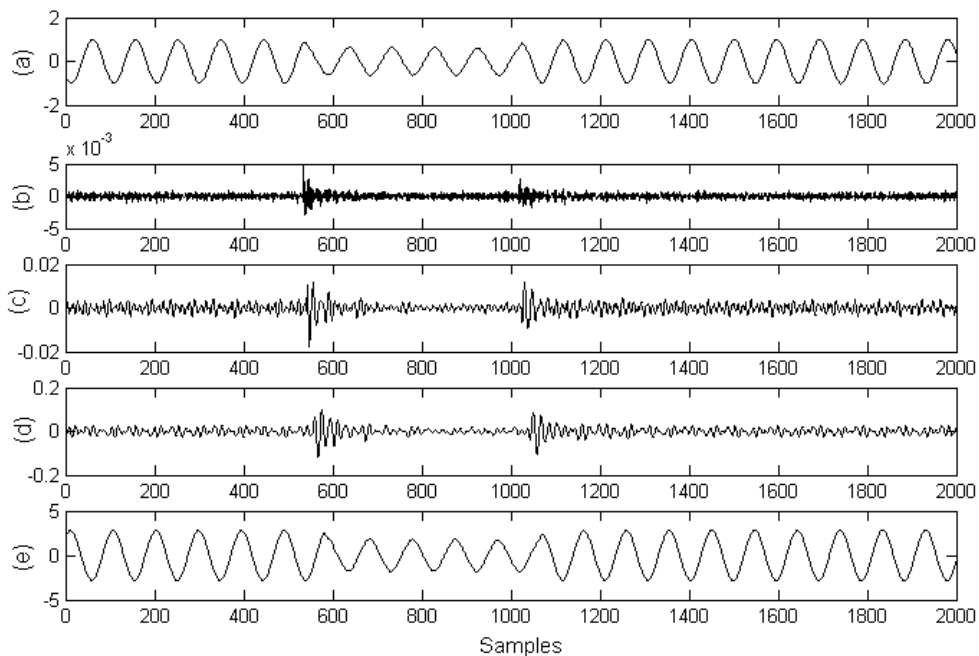


Fig. 7. Signal decomposition in 3 levels. In (a) original signal. From (b) to (d) details from level 1 to level 3, and (e) level 3 approximation.

The wavelet transform performance to detect disturbances in electrical signals is substantially improved if a procedure for reducing noise level is applied to the decomposition level coefficients to be used in the detection process. This feature is highlighted in (Yang et al, 1999; 2000 & 2001). So, to better characterize the disturbance location in the signal, it is applied the following algorithm presented in (Misiti et al, 2000), to the previously selected decomposition level:

$$\hat{d}_s(n) = \begin{cases} d_s(n) - \eta_s & \text{if } |d_s(n)| \geq \eta_s \text{ and } d_s(n) > 0 \\ d_s(n) + \eta_s & \text{if } |d_s(n)| \geq \eta_s \text{ and } d_s(n) < 0 \\ 0 & \text{if } |d_s(n)| < \eta_s \end{cases} \quad (12)$$

Where:

- $n = 1, 2, \dots, N$ is the number of the decomposition level s , $d_s(n)$, coefficient and N is the number of samples;
- $\hat{d}_s(n)$ is the new value of $d_s(n)$;
- η_s is a threshold based on the maximum absolute value of the decomposition level coefficients s .

The η_s value used was 10% of the maximum absolute value of the decomposition level coefficients considered, as proposed in (Santoso et al, 1997).

A voltage waveform containing voltage sag is shown in Figure 8(a). In (b) it is presented the details level used to detect the disturbance beginning and (c) presents new details values after the noise reduction algorithm is applied. In (c) it can be observed smaller coefficients magnitudes over the entire signal which improves the algorithm performance used to detect the disturbance.

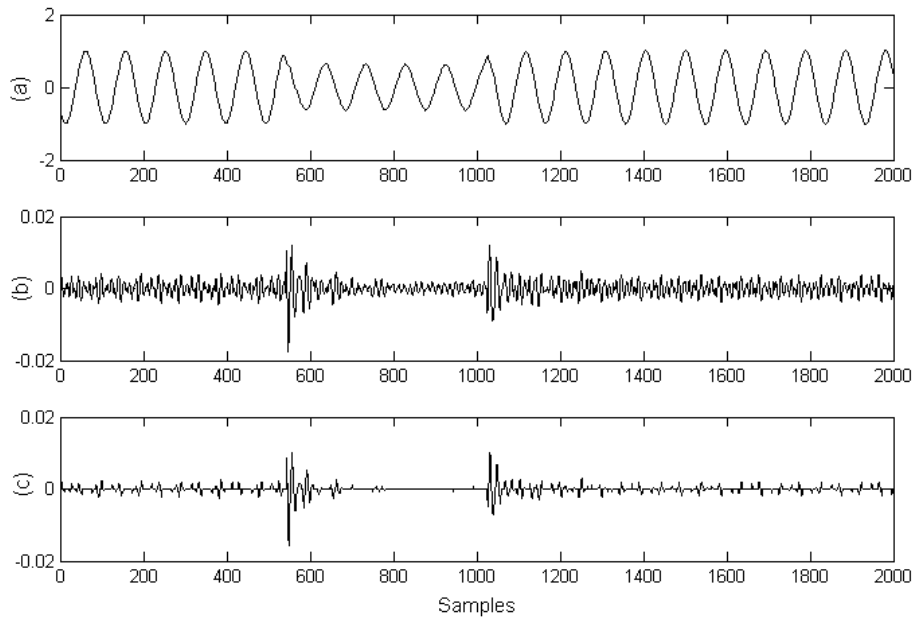


Fig. 8. (a) Original voltage waveform with voltage sag, (b) second details level, and (c) second details level after noise reduction.

The disturbance beginning point is found based on the following algorithm presented in (Gaouda et al, 2002)

$$m(n) = \begin{cases} 0 & [\hat{d}_s(n)]^2 < \sigma \\ 1 & [\hat{d}_s(n)]^2 \geq \sigma \end{cases} \quad (13)$$

where:

- σ is the standard deviation of $[\hat{d}_s(n)]^2$

The algorithm (13) was originally proposed to find the disturbance start and end points. In this particular case, the interest is just the starting point, p_i , which shall be considered as a reference for obtaining the phenomena pattern characterization in the classification stage. For this purpose the following algorithm is proposed:

1. Calculate $[\hat{d}_s(n)]^2$;
2. Calculate σ ;
3. Make $n = 0$;
4. Make $n = n + 1$;
5. Compare the value of $\hat{d}_s(n)^2$ with σ :
 - If $[\hat{d}_s(n)]^2 < \sigma$, return to step 4;
 - If $[\hat{d}_s(n)]^2 \geq \sigma$, $p_i = n$;
6. End

Once the disturbance starting point is obtained, the next step is to determine the signal parameters to input the PNN in order to characterize SDVV and transients.

4.1.1.1 SDVV characterization parameters

As the signal magnitude and duration change during the SDVV occurrence, the norm value (Euclidian distance) will also change if the disturbed signal is considered. So, by monitoring changes in the norm of the third-level signal approximation (the level containing the fundamental frequency) and considering the signal disturbed portion, it can be obtained a standard value characterizing these signal changes. Figure 9 shows the signal norm variation as function of the signal magnitude for the third-level signal approximation of the multiresolution analysis. In this analysis, a 10 cycles signal window was considered and the disturbance magnitude ranging from zero to 1.8 p.u.

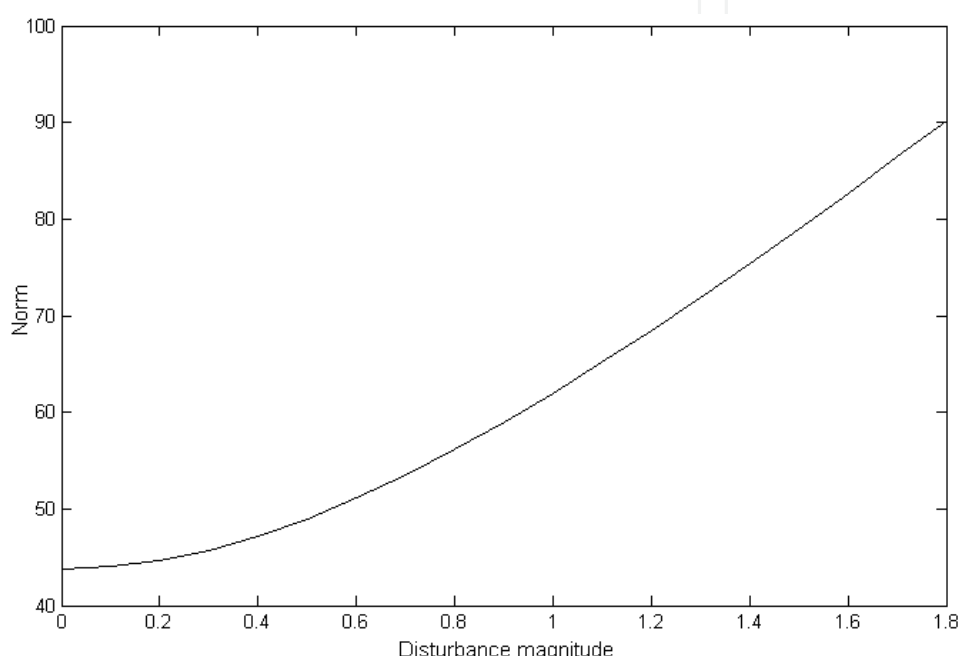


Fig. 9. Signal norm variation as a function of the SDVV magnitude.

So, the SDVV classification pattern is obtained by calculating the signal norm for 10 cycles counting from point p_i , which represents the disturbance starting point. This procedure is applied to the voltage waveforms in phases A-B-C resulting a vector with three elements which is used as input to the PNN for classification purpose.

4.1.1.2 Transients characterization parameters

In the transient analysis case, a two cycles long window is selected from the disturbance starting point which, for real electrical systems, is a time interval within which most of the protective devices operate. This considered signal is then normalized based on the biggest magnitude coefficient, for creating a vector related to each fault type to be analyzed in the classification task.

In three-phase transmission lines, phases are mutually coupled and therefore the high frequency variations generated during a disturbance may also appear in non-faulted phases. Using a modal transformation allows the coupled three-phase system to be treated as a system with three independent single-phase circuits. Each phase values are transformed into

three decoupled modes: mode 0 (zero), mode α and mode β , so the three phases are decomposed into nine modes, three for each phase. As mode 0 is the same for all phases, this mode can be calculated only once, reducing to seven the number of signals. Therefore, the three phase voltage signals are decomposed by the multiresolution analysis and the first-level detail 3-dimensioned array is used with the modal matrix to decoupling the original signals.

Mathematically the modal transformation consists of a matrix operation as follows:

$$d_{v0} = W d_{v1} \quad (14)$$

Where d_{v0} d_{v1} are the voltage wavelet coefficients corresponding to the coupled and decoupled phases respectively and W is the decoupling matrix. It is noteworthy that only the voltage signals can be decoupled by the method presented here and the operation described in Eq. (14) should be performed on each signal sample. The matrix W is described by (Silveira; et al, 1999):

$$W = \frac{1}{3} \begin{pmatrix} 1 & 2 & 0 & 1 & -\sqrt{3} & -1 & \sqrt{3} \\ 1 & -1 & \sqrt{3} & 2 & 0 & -1 & -\sqrt{3} \\ 1 & -1 & -\sqrt{3} & -1 & \sqrt{3} & 2 & 0 \end{pmatrix}^T \quad (15)$$

This way it is obtained a system that provides seven outputs, being mode α and mode β for each phase and a mode 0 which is common to the three phases. These modes contain the wavelet transform coefficients of the three-phase decoupled input signals. The linearity properties of the wavelet and modal transformations ensure that they can be carried out in a cascading way without causing problems to the classifier algorithm results. So, it is obtained a classification pattern that is represented by a matrix with seven columns and 192 rows.

4.2 Artificial neural networks structures

The ANN used for the SDVV classification, named PNN1, is composed of three classes, namely:

- Class 1 - Voltage sags and interruptions, which are characterized by voltage magnitudes smaller than 0.9 p.u.
- Class 2 - Adequate voltage, which is characterized by magnitudes between 0.9 p.u. and 1.1 p.u.;
- Class 3 - Voltage swell, which is characterized by magnitudes between 1.1 p.u. and 1.8 p.u.

The training values of each class were obtained from points on the curve given in Figure 9, resulting in 19 values stored in the PNN1. As each class covers a different magnitude range, it was established 9 values for class 1, 3 values for Class 2 and 7 values for Class 3. The weight matrix of the competitive layer is a 3x19 matrix, which corresponds to the 19 training values and the three classes considered. The input pattern to be classified consists of a three elements vector, each representing the characteristic of each phase voltage; and the PNN1 output consists of a three elements vector, each one indicating the classification corresponding to each phase.

For transient analysis 11 classes were considered, which correspond to the short circuit types as listed in Table 1.

The PNN2 training matrix has stored seven classification patterns for each class, related to bus voltages. As each pattern has seven vectors derived from the modal transformation, each class is composed of 49 vectors with 192 rows by 49 columns. The output matrix consists of 11 rows, corresponding to the disturbances types classes, and 539 columns corresponding to the training vectors.

Single-Phase Short Circuits	Phase A to Ground
	Phase B to Ground
	Phase C to Ground
Two-Phase and Two-Phase to Ground Short Circuits	Phases AB; Phases AB-to Ground
	Phases AC; Phases AC-to Ground
	Phases BC; Phases BC-to Ground
Three-Phase and Three-Phase to Ground Short Circuits	Phases ABC; Phases ABC-to Ground

Table 1. Short Circuits Types

5. Results

In order to evaluate the performance of the proposed method in classifying SDVV, 311 voltage oscillographic signals obtained from a real power system were used. The oscillographic signals were numbered from 1 to 311 for the purpose of identification. The electrical power system is a 500 kV/230 kV transmission system connecting Tucuruí Hydroelectric Power Plant located in the south of the State of Pará-Brazil, to load centers in the northern region, which is operated by Eletronorte, a generation and transmission utility in the north of Brazil. The oscillography files used are from the 230 kV substation Guamá, located in Belém city, the capital of the state of Pará, and corresponds to a time period within 2004/2005.

Table 2 shows the results corresponding to the PNN1 output. The SDVV parameters represented in Table 2 are the time duration in cycles, and magnitude in p.u. As can be seen, 24 voltage signals were classified as having SDVV.

According to data in Table 2 it may be seen that the PNN1 classification is consistent with the magnitude values calculated for the SDVV. It is observed that in most cases voltage sags were detected in all three phases (classification 1.1.1), and for signals 267 and 268 voltage sags were detected only in phase C, while phase A, and B exhibited adequate voltage magnitudes (classification 2.2.1). It is also worth noting that all these results were compared with the real original voltage waveforms, which proved the results correctness as obtained by the wavelet multiresolution analysis and by the PNN1 classification mechanism.

Voltage Signal Number	PNN 1 Output	Phase A		Phase B		Phase C	
		Time Duration (Cycles)	Magnitude (pu)	Time Duration (Cycles)	Magnitude (pu)	Time Duration (Cycles)	Magnitude (pu)
18	1 1 1	5.5729	0.8331	5.3542	0.8388	5.1979	0.8696
19	1 1 1	5.5729	0.8275	5.3542	0.8556	5.1875	0.8473
58	1 1 1	2.9583	0.4949	2.8646	0.8710	2.8333	0.8449
59	1 1 1	2.9688	0.4929	2.8646	0.8701	2.5313	0.8393
138	1 1 1	5.5729	0.8331	5.3542	0.8388	5.1979	0.8696
139	1 1 1	5.5729	0.8275	5.3542	0.8556	5.1875	0.8473
249	1 1 1	5.5729	0.8275	5.3542	0.8556	5.1875	0.8473
250	1 1 1	5.5729	0.8331	5.3542	0.8388	5.1979	0.8696
251	1 1 1	5.5729	0.8331	5.3542	0.8388	5.1979	0.8696
252	1 1 1	5.5729	0.8275	5.3542	0.8556	5.1875	0.8473
253	1 1 1	2.9583	0.4949	2.8646	0.8710	2.8333	0.8449
254	1 1 1	2.9688	0.4929	2.8646	0.8701	2.5313	0.8393
255	1 1 1	5.5729	0.8331	5.3542	0.8388	5.1979	0.8696
256	1 1 1	5.5729	0.8275	5.3542	0.8556	5.1875	0.8473
257	1 1 1	5.5729	0.8275	5.3542	0.8556	5.1875	0.8473
258	1 1 1	5.5729	0.8331	5.3542	0.8388	5.1979	0.8696
267	2 2 1	5.1667	0.9317	4.5729	0.9153	5.0313	0.6424
268	2 2 1	5.4792	0.9486	4.5729	0.9140	5.0313	0.6393
279	1 1 1	4.9896	0.4158	5.1771	0.8556	4.8854	0.8942
280	1 1 1	4.8750	0.4171	4.5729	0.8523	4.8125	0.8910
287	1 1 1	3.6875	0.8693	3.4479	0.5332	3.2917	0.8789
288	1 1 1	3.6979	0.8699	3.4479	0.5343	3.3542	0.8906
302	1 1 1	5.5729	0.8331	5.3542	0.8388	5.1979	0.8696
303	1 1 1	5.5729	0.8275	5.3542	0.8556	5.1875	0.8473

Table 2. SDVV classification and quantification results for three-phase voltage signals obtained from oscillographic records in a real electrical power system.

For the fault type classification and the faulted phase identification the same 230 kV/500 kV electrical power system was used in which short-circuits were simulated along the transmission lines by varying the incidence angle, and the short-circuit resistance to obtaining a set of voltage waveforms corresponding to the different simulated fault types, using the simulation software ATP.

The simulation studies included 1,029 single-phase to ground short-circuit; 2,058 two-phase and two-phase to ground short-circuits; and 686 three-phase and three-phase to ground short circuits. For the PNN2 training, seven case studies for each fault type as listed in Table 1 were used as input patterns, and the remaining cases were used for testing. Table 3 shows the classification results, noting that misclassification occurred for single-phase and two-phase to ground short circuits, with 6% and 5.4% respectively. Also 58% of the three-phase short circuit were classified as three-phase to ground short circuits, but considering that these two fault types can be considered as a single class there would be no classification error in this case, as presented by the 100% result in Table 3.

Fault Type	Simulated Cases	Results (Correct Classification)
Single-Phase to Ground	1,029	94%
Two-Phase and Two-Phase to Ground	2,058	94,6
Three-Phase and Three-Phase to Ground	686	100%

Table 3. Results for fault type classification

With the purpose of testing the performance of the proposed method in classifying real oscillographic signals, some Eletronorte operational reports in the period 2007/2008 were analyzed which contained 31 labeled transient occurrences, being 17 due to short circuits, and 14 due to lightning discharge. For considering lightning discharges (LD) a new class was added to PNN2, and 7 of the 14 signals were selected for training the PNN2 and the remaining signals were used for testing. The testing signals were applied to the trained PNN2 achieving 100% accuracy for short circuits and 85,7% for lightning discharges.

6. Conclusion

This work presented a methodology for automatic SDVV classification as well as fault type identification using digital signal processing and computational intelligence techniques. Real power system data were used and satisfactory results for both SDVV and fault type classification were obtained. The implementation of the proposed methodology as part of a computational tool and its integration with the post-operational utility analysis routines will enable the automatic analysis of a larger number of signals waveforms, allowing the methodology proposed here to serve as a basis for future applications where automatic analysis procedures are needed.

One should also note that the wavelet used in this work was chosen due to its good performance in determining the disturbance location in the signal waveform. Various wavelets orders from db2 to db16 were tested and the db4 wavelet presented the best performance, and considering also the fact that it has filters with few coefficients, the processing time for the signals decomposition is greatly reduced, which is an important characteristic when a large number of signals are to be analyzed.

7. References

- Angrisani, L.; Daponte, P.; D'Apuzzo, M., 1998. A method based on wavelet networks for the detection and classification of transients. *Instrumentation and Measurement Technology Conference. IMTC/98. Conference Proceedings. IEEE* , Volume: 2 , 18-21 May 1998, Page(s): 903-908.
- Bollen M.H.J., 2000. *Understanding Power Quality Problems: Voltage Sags and Interruptions*. IEEE Press Series on Power Engineering.
- Chan, W.L.; So, A.T.P.; Lai, L.L., 2000. Harmonics load signature recognition by wavelets transforms. *Proceedings International Conference on Electric Utility Deregulation and Restructuring and Power Technologies*, 2000. DRPT 2000., 4-7 April 2000, Page(s): 666 - 671.
- Gaouda, A.M.; Kanoun, S.H.; Salama, M.M.A.; Chikhani, A.Y., 2002. Wavelet-based signal processing for disturbance classification and measurement. *Generation, IEE Proceedings - Transmission and Distribution*, Volume: 149 Issue: 3, May 2002, Page(s): 310 -318.
- Gong Jing, 2010. The influence study of wavelet properties on transient power disturbance signals detection. *International Conference on Computer, Mechatronics, Control and Electronic Engineering (CMCE)*, 2010 Volume: 5, Page(s): 140 - 143
- Gong Jing, 2011. Application of constructed complex wavelet in power quality disturbances detection. *IEEE 2nd International Conference on Computing, Control and Industrial Engineering (CCIE)*, 2011, Volume: 2, Page(s): 155 - 158
- Huang, J.S.; Negnevitsky, M.; Nguyen, D.T., 2002. A neural-fuzzy classifier for recognition of power quality disturbances. *IEEE Transactions on Power Delivery*, Volume: 17 Issue: 2 , April 2002, Page(s): 609-616.
- IEEE Std 1250, 1995. *IEEE guide for service to equipment sensitive to momentary voltage disturbances*. 28 June 1995
- IEEE Std C37.111, 1999. *IEEE Standard Common Format for Transient Data Exchange (COMTRADE) for power systems* ,15 Oct. 1999
- Lee, C.H.; Lee, J.S.; Kim, J.O.; Nam, S.W., 1997. Feature vector extraction for the automatic classification of power quality disturbances. *Proceedings of 1997 IEEE International Symposium on Circuits and Systems*, 1997. ISCAS '97., Volume: 4 , 9-12 June 1997; Page(s): 2681 -2684.
- Machado, R. N.M.M. ; Bezerra, U. H. ; Tostes, M. E. L. ; Pelaes, E. G. ; Oliveira, R. C. L., 2009. Use of Wavelet Transform and Generalized Regression Neural Network (GRNN) to the Characterization of Short-Duration Voltage Variation in Electric Power System. *IEEE Latin America Transactions*, v. 7, p. 217-222, 2009.
- Mallat, S.G., 1989. A theory for multiresolution signal decomposition: the wavelet representation. *IEEE Transactions on Pattern Analysis and Machine Intelligence*, Volume: 11 Issue: 7, July 1989 , Page(s): 674 -693.
- Maloney, P.S.; Specht, D.F., 1989. The use of probabilistic neural networks to improve solution times for hull-to-emitter correlation problems. *International Joint Conference on Neural Networks*, 1989. IJCNN., 18-22 June 1989 Page(s):289 - 294 vol.1.
- Misiti, M., Misiti, Y., Oppenheim, G., Jean-Michel Poggi, J.-M., 2000. *Wavelet Toolbox For Use with MATLAB®. User's Guide Version 2*, The MathWorks, Inc., 2000.

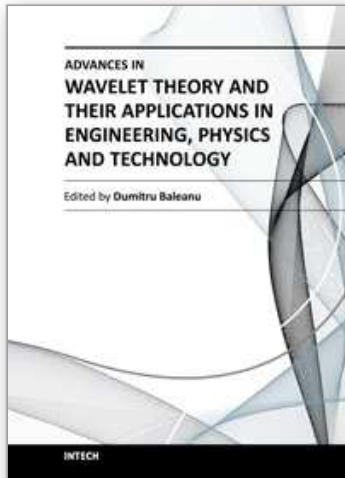
- Mokryani, G.; Haghifam, M.-R.; Latafat, H.; Aliparast, P.; Abdollahy, A., 2010. Detection of inrush current based on wavelet transform and LVQ neural network. *Transmission and Distribution Conference and Exposition, IEEE PES, 2010*, Page(s): 1 - 5
- Ramaswamy, S.; Kiran, B.V.; Kashyap, K.H.; Shenoy, U.J., 2003. Classification of power system transients using wavelet transforms and probabilistic neural networks. *TENCON 2003. Conference on Convergent Technologies for Asia-Pacific Region Volume 4*, 15-17 Oct. 2003 Page(s):1272 - 1276 Vol.4.
- Ribeiro, P.F., 1994. Wavelet transform: an advanced tool for analyzing non-stationary harmonic distortions in power systems. *Proceedings of the IEEE International Conference on Harmonics in Power Systems*, Bologna, Italy; September 21-23, 1994, pp. 365-369.
- Rodriguez, A.; Ruiz, J.E.; Aguado, J.; Lopez, J.J.; Martin, F.I.; Muñoz, F., 2010. Classification of power quality disturbances using Wavelet and Artificial Neural Networks. *IEEE International Symposium on Industrial Electronics*, 2010, Pages: 1589 - 1594
- Santoso, S.; Powers, E.J.; Grady, W.M.; Parsons, A.C., 2000a. Power quality disturbance waveform recognition using wavelet-based neural classifier. I. Theoretical foundation. *IEEE Transactions on Power Delivery*, Volume: 15 Issue: 1, Jan. 2000, Page(s): 222-228.
- Santoso, S.; Powers, E.J.; Grady, W.M.; Parsons, A.C., 2000b. Power quality disturbance waveform recognition using wavelet-based neural classifier. II. Application. *IEEE Transactions on Power Delivery*, Volume: 15, Issue: 1, Jan. 2000 Pages:229 - 235.
- Santoso, S.; Grady, W.M.; Powers, E.J.; Lamoree, J.; Bhatt, S.C., 2000c. Characterization of distribution power quality events with Fourier and wavelet transforms. *IEEE Transactions on Power Delivery*, Volume: 15 Issue: 1, Jan. 2000, Page(s): 247 -254.
- Silveira P.M.; R. Seara and H.H Zurn, 1999. An approach using wavelet transform for type identification in digital relayng , *IEEE Power Engineering Society Summer Meeting, Conference Proceeding*, Volume 2, 1999
- Specht, D.F., 1988. Probabilistic neural networks for classification, mapping, or associative memory. *IEEE International Conference on Neural Networks*, 1988. 24-27 July 1988 Page(s): 525 - 532 vol.1
- Specht, D.F., 1990. Probabilistic neural networks and the polynomial Adaline as complementary techniques for classification. *IEEE Transactions on Neural Networks*, Volume 1, Issue 1, March 1990 Page(s):111 - 121
- Yang, H.-T.; Liao, C.-C.; Yang, P.-C.; Huang, K.-Y., 1999. A wavelet based power quality monitoring system considering noise effects. *International Conference on Electric Power Engineering*, 1999. PowerTech Budapest 99., 29 Aug.-2 Sept. 1999, Page(s): 224
- Yang, H.-T.; Liao, C.-C., 2000. A correlation-based noise suppression algorithm for power quality monitoring through wavelet transform. *International Conference on Power System Technology*, 2000. Proceedings. PowerCon 2000., Volume: 3, 4-7 Dec. 2000, Page(s): 1311 -1316.
- Yang, H.-T.; Liao, C.-C., 2001. A de-noising scheme for enhancing wavelet-based power quality monitoring system. *IEEE Transactions on Power Delivery*, Volume: 16 Issue: 3, July 2001, Page(s): 353 -360.
- Young, R.K., *Wavelet Theory and its Applications*. Kluwer Academic Publishers, ISBN 0-7923-9271-X, Norwell, Massachusetts, U.S.E, 1995.

Zwe-Lee Gaing; Hou-Sheng Huang, 2003. Wavelet-based neural network for power disturbance classification. *Power Engineering Society General Meeting, 2003, IEEE, Volume: 3, 13-17 July 2003, Pages: 1628 Vol. 3.*

Zwe-Lee Gaing. 2004. Wavelet-based neural network for power disturbance recognition and classification. *IEEE Transactions on Power Delivery, Volume 19, Issue 4, Oct. 2004 Page(s):1560 - 1568.*

IntechOpen

IntechOpen



Advances in Wavelet Theory and Their Applications in Engineering, Physics and Technology

Edited by Dr. Dumitru Baleanu

ISBN 978-953-51-0494-0

Hard cover, 634 pages

Publisher InTech

Published online 04, April, 2012

Published in print edition April, 2012

The use of the wavelet transform to analyze the behaviour of the complex systems from various fields started to be widely recognized and applied successfully during the last few decades. In this book some advances in wavelet theory and their applications in engineering, physics and technology are presented. The applications were carefully selected and grouped in five main sections - Signal Processing, Electrical Systems, Fault Diagnosis and Monitoring, Image Processing and Applications in Engineering. One of the key features of this book is that the wavelet concepts have been described from a point of view that is familiar to researchers from various branches of science and engineering. The content of the book is accessible to a large number of readers.

How to reference

In order to correctly reference this scholarly work, feel free to copy and paste the following:

R. N. M. Machado, U. H. Bezerra, M. E. L. Tostes, S. C. F. Freire and L. A. Meneses (2012). Application of Wavelet Transform and Artificial Neural Network to Extract Power Quality Information from Voltage Oscillographic Signals in Electric Power Systems, *Advances in Wavelet Theory and Their Applications in Engineering, Physics and Technology*, Dr. Dumitru Baleanu (Ed.), ISBN: 978-953-51-0494-0, InTech, Available from: <http://www.intechopen.com/books/advances-in-wavelet-theory-and-their-applications-in-engineering-physics-and-technology/application-of-wavelet-transform-and-artificial-neural-network-to-extract-power-quality-information->

INTECH
open science | open minds

InTech Europe

University Campus STeP Ri
Slavka Krautzeka 83/A
51000 Rijeka, Croatia
Phone: +385 (51) 770 447
Fax: +385 (51) 686 166
www.intechopen.com

InTech China

Unit 405, Office Block, Hotel Equatorial Shanghai
No.65, Yan An Road (West), Shanghai, 200040, China
中国上海市延安西路65号上海国际贵都大饭店办公楼405单元
Phone: +86-21-62489820
Fax: +86-21-62489821

© 2012 The Author(s). Licensee IntechOpen. This is an open access article distributed under the terms of the [Creative Commons Attribution 3.0 License](#), which permits unrestricted use, distribution, and reproduction in any medium, provided the original work is properly cited.

IntechOpen

IntechOpen